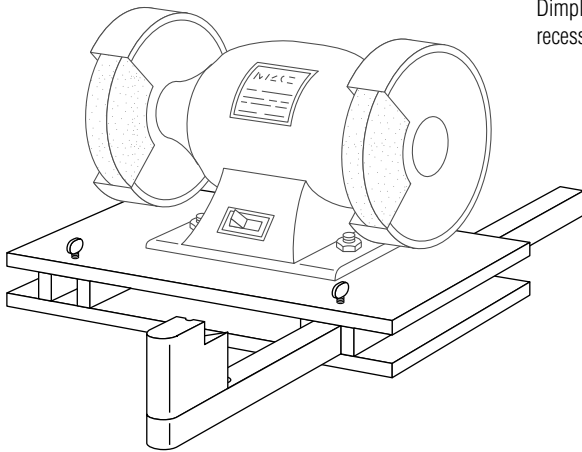
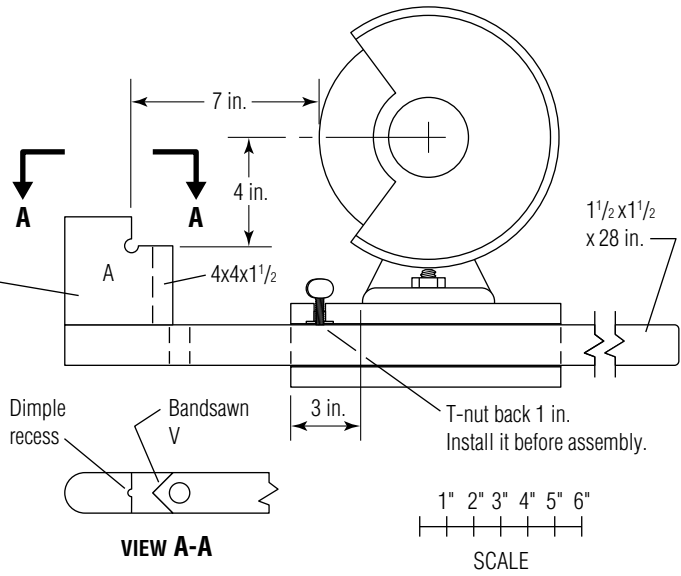
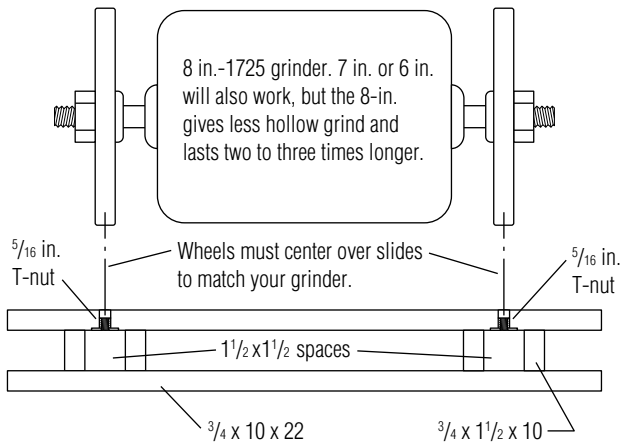


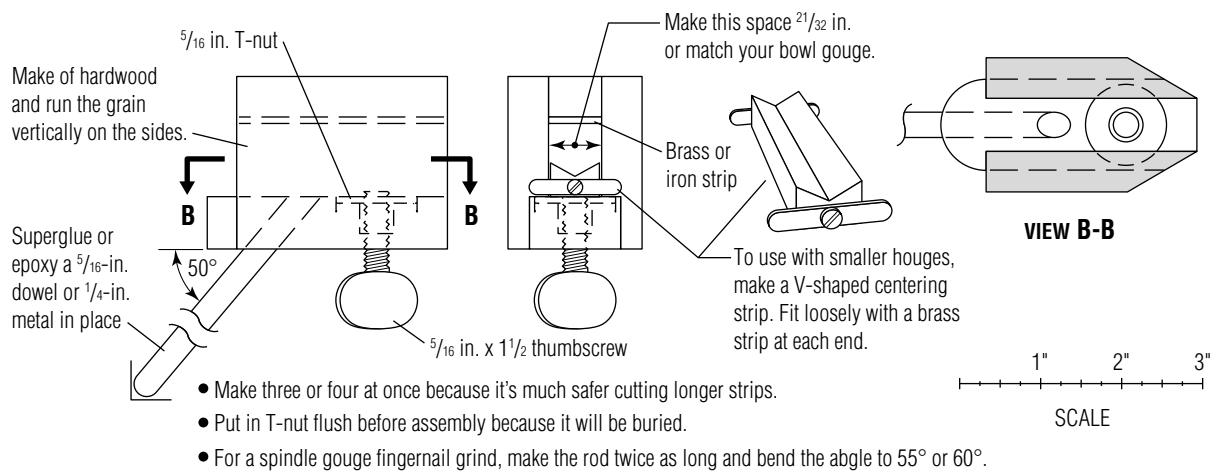
The height of wood block A will vary depending on whether you are using a 8 in., 7 in., or 6 in. grinder. The goal is to have the pivot dimple 4 in. below the midpoint of the wheel and 7 in. out.



VIEW A-A



The only metal on the jig is 2 5/16 in. T-nuts and matching thumbscrews.



- Make three or four at once because it's much safer cutting longer strips.
- Put in T-nut flush before assembly because it will be buried.
- For a spindle gouge fingernail grind, make the rod twice as long and bend the angle to 55° or 60°.