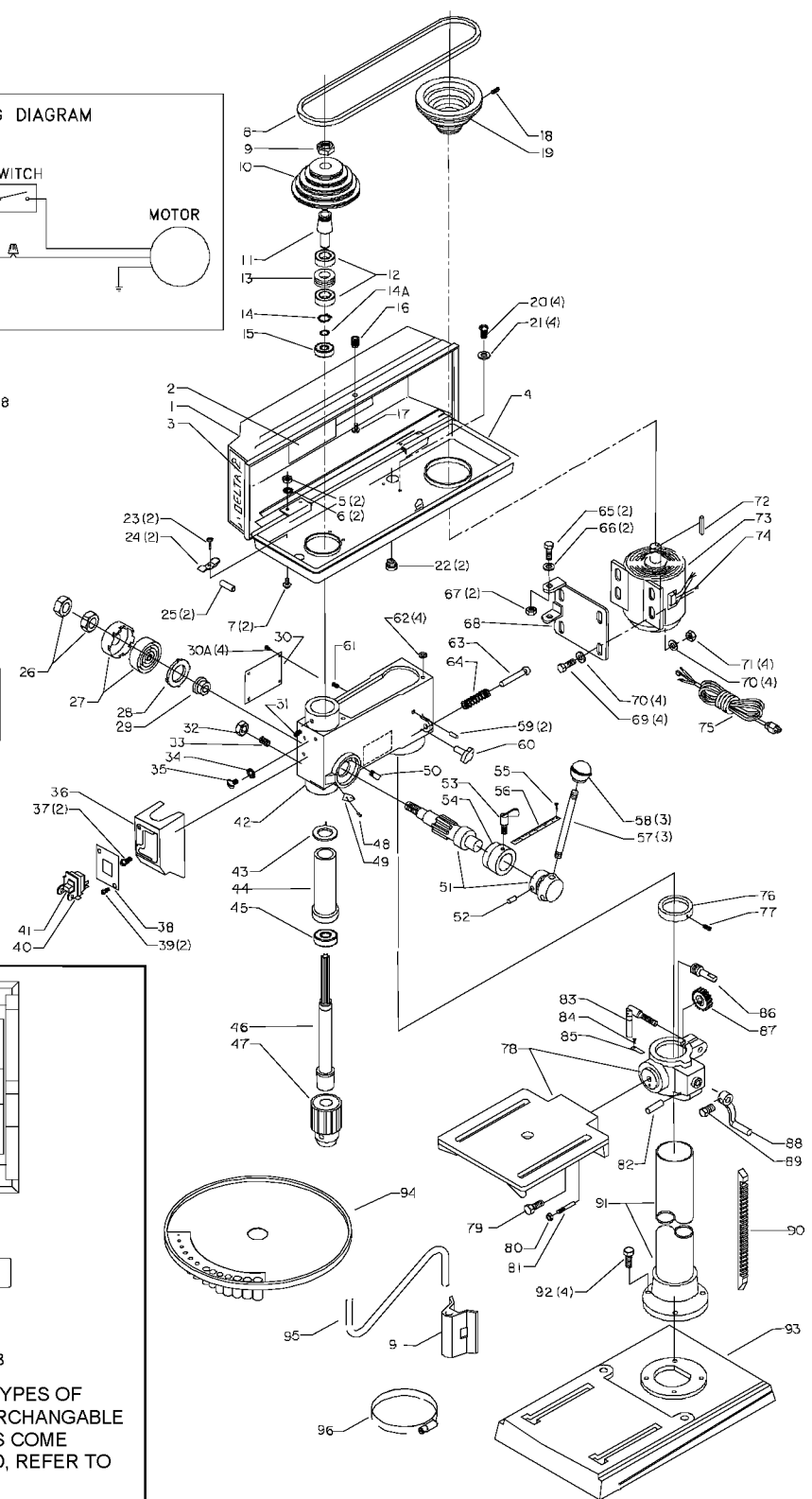


HARDWARE PACK



ON

OFF

400-06-068-0001

400-06-068-0002

1343758

NOTE A: DELTA HAS USED A NUMBER OF DIFFERENT TYPES OF SWITCHES FOR PRODUCTION. ALL SWITCHES ARE INTERCHANGABLE BUT THE KEYS ARE DIFFERENT. REPLACEMENT SWITCHES COME COMPLETE WITH KEY. IF A REPLACEMENT KEY IS NEEDED, REFER TO DRAWING ABOVE TO SELECT THE PROPER ONE.

Parts List for 11-990 Type 1

Item Number	Part Number	Description	Qty Required
1	900956	GUARD	1
1	1343779	GUARD ASSY	1
2	1343740	SPEED CHART	1
3	1343745	NAMEPLATE 11990	1
4	900957	GUARD	1
5	1243569	NUT	2
6	1320102	LOCK WASHER	2
7	1243501	SCREW	2
8	1343782	V-BELT	1
9	1310047	NUT	1
10	1310048	PULLEY	1
11	1310044	SLEEVE	1
12	920040205335	BEARING	1
13	1310046	SPACER	1
14	1243407	RING	1
14	1310064	RING	1
15	1310042	BEARING	1
16	1310065	KNOB	1
17	1246045	MACH SCREW	1
18	1310055	SET SCREW	1
19	1343777	MOTOR PULLEY	1
20	1246002	MACH SCREW	4
21	1310062	WASHER	4
22	1343785	CORD INSULATOR	2
23	1342455	SCREW	2
24	1340719	CLAMP	2
25	1343650	SLEEVE	2

COPYRIGHT© 2005. All Rights Reserved.

Parts list, pricing, and availability subject to change. Please visit www.dewaltservicenet.com for current parts information.

Parts List for 11-990 Type 1

Item Number	Part Number	Description	Qty Required
26	902010201227	HEX JAM NUT	1
27	1310084	SPRING W/HSG.	1
28	1310035	RETAINER	1
29	1343772	SPRING SEAT	1
30	1343746	WARNING LABEL	1
30	1310016	DR. SCREW	4
31	1246133	SET SCREW	1
32	491964-00	NUT	1
33	1343774	SET SCREW	1
34	1320101	LOCK WASHER	1
35	1310155	SCREW	1
36	1343778	SWITCH BOX	1
37	1246001	MACH SCREW	2
38	1343783	SWITCH PLATE	1
39	488974-00	PAN HEAD SCREW	2
40	489105-00	SWITCH	1
41	1343758	KEY	1
41	400060680001	SWITCH KEY	1
41	400060680002	KEY	1
42	900958	HEAD	1
43	1310039	WASHER	1
44	1343775	QUILL	1
45	1310041	BEARING	1
46	1343776	SPINDLE	1
47	1310049	CHUCK	1
47	1313104	CHUCK KEY 1/2	1
48	1310016	DR. SCREW	1

COPYRIGHT© 2005. All Rights Reserved.

Parts list, pricing, and availability subject to change. Please visit www.dewaltservicenetwork.com for current parts information.

Parts List for 11-990 Type 1

Item Number	Part Number	Description	Qty Required
49	900435	POINTER	1
50	1311035	STOP PIN	1
51	1343767	PINION ASSY	1
52	1311034	SPRING PIN	1
53	1311037	LOCK SCREW	1
54	1343770	DEPTH STOP	1
55	1310016	DR. SCREW	1
56	900961	SCALE	1
57	1343768	HANDLE ASSY	3
58	903302	BALL	3
59	1246110	ROLL PIN	2
60	900436	THUMB SCREW	1
61	1246133	SET SCREW	1
62	1343304	RUBBER WASHER	4
63	1310022	SLIDE ROD	1
64	1310021	SPRING	1
65	1246017	CAP SCREW	2
66	488822-00	FLAT WASHER	2
67	1345382	HEX NUT	2
68	1343766	MOTOR PLATE	1
69	1246016	CAP SCREW	4
70	488822-00	FLAT WASHER	8
71	491964-00	NUT	4
72	1311071	KEY	1
73	1343756	MTR 1PH .3HP DP12	1
74	1343784	MOTOR JUMPER	1
75	1311072	POWER CORD	1

COPYRIGHT© 2005. All Rights Reserved.

Parts list, pricing, and availability subject to change. Please visit www.dewaltservicenet.com for current parts information.

Parts List for 11-990 Type 1

Item Number	Part Number	Description	Qty Required
76	900965	RING	1
77	1243321	SCREW	1
78	900955	TABLE	1
79	1343716	HEX HD BOLT (CDN)	1
80	902011201034	HEX NUT	1
81	1310013	THD. PIN	1
82	1343747	PIN	1
83	1310017	HANDLE	1
84	1310016	DR. SCREW	1
85	900959	SCALE	1
86	1343786	WORM	1
87	1343754	PINION	1
88	1344257	HANDLE ASSY	1
89	1243321	SCREW	1
90	1343763	RACK	1
91	1343752	COLUMN W/FLANGE	1
92	1246016	CAP SCREW	4
93	1343751	BASE	1
99	900452	HARDWARE PACK	1

COPYRIGHT© 2005. All Rights Reserved.

Parts list, pricing, and availability subject to change. Please visit www.dewaltservicenet.com for current parts information.