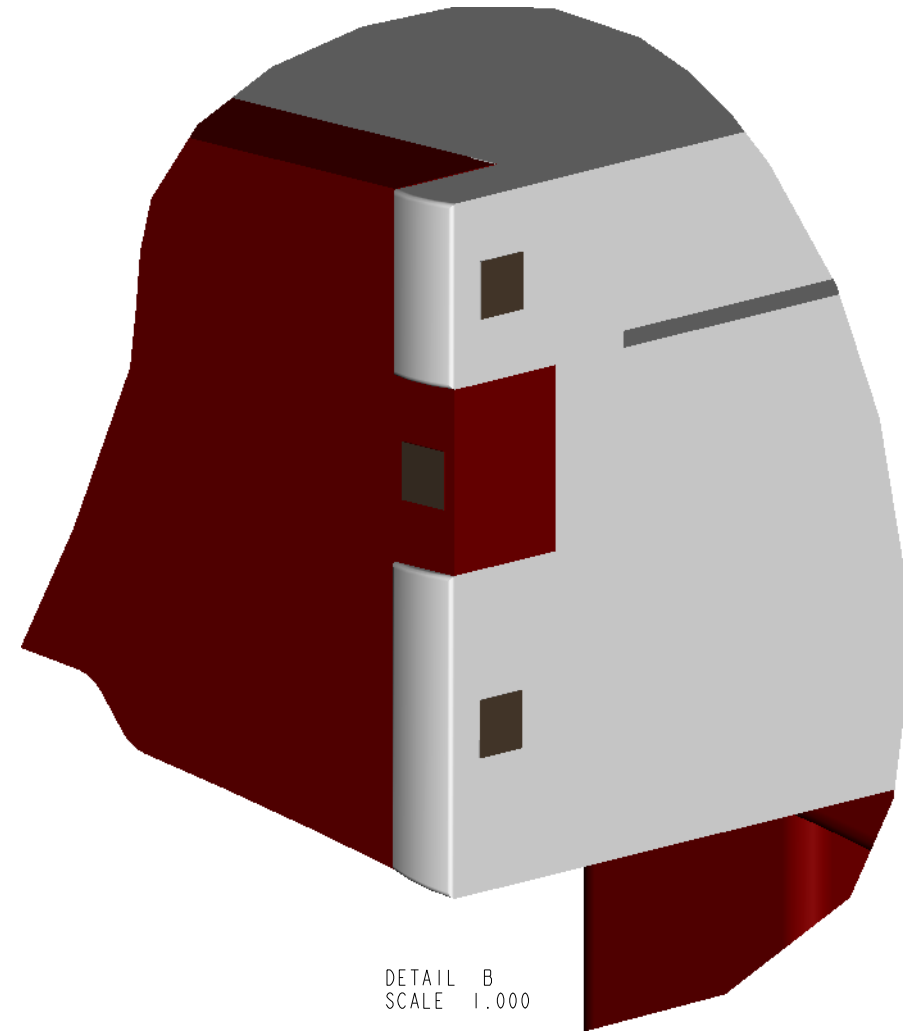
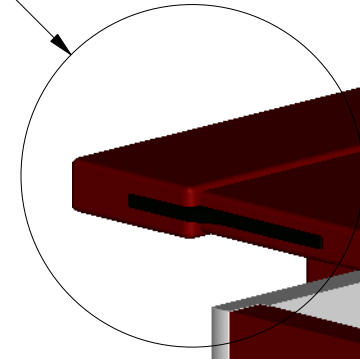
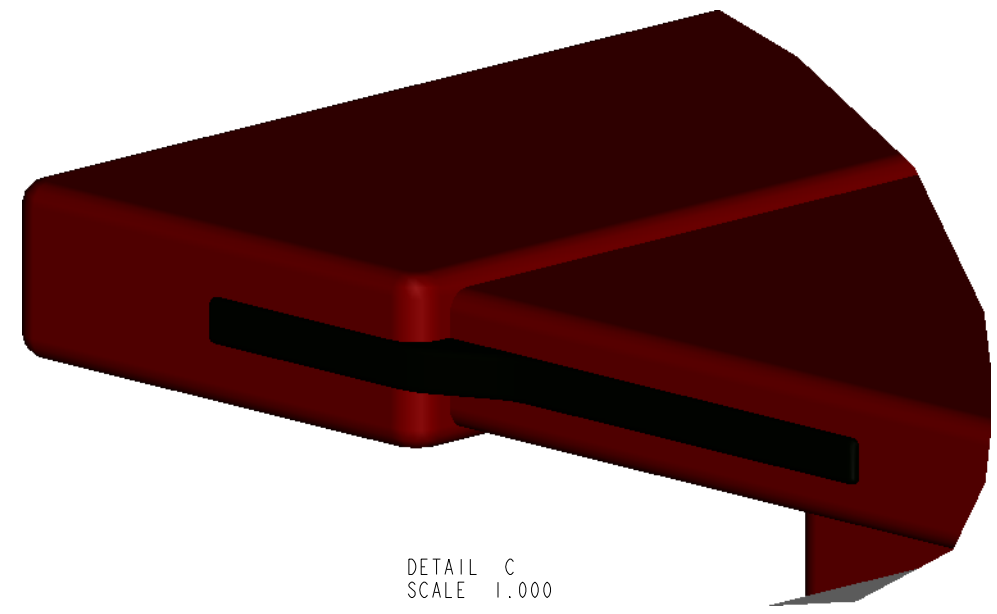
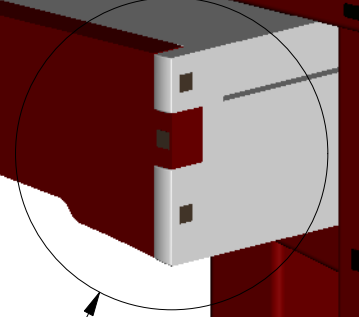


SEE DETAIL C

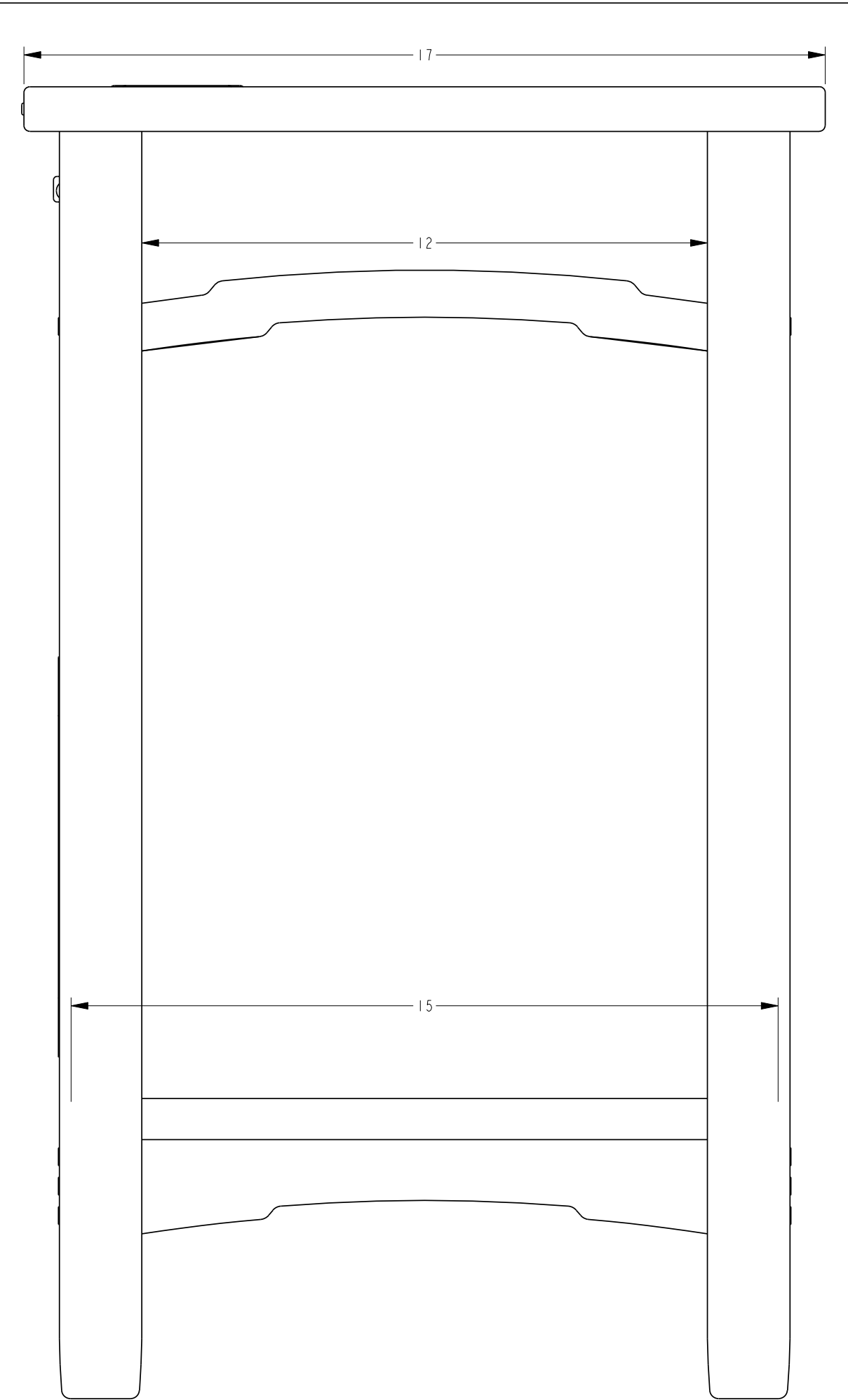
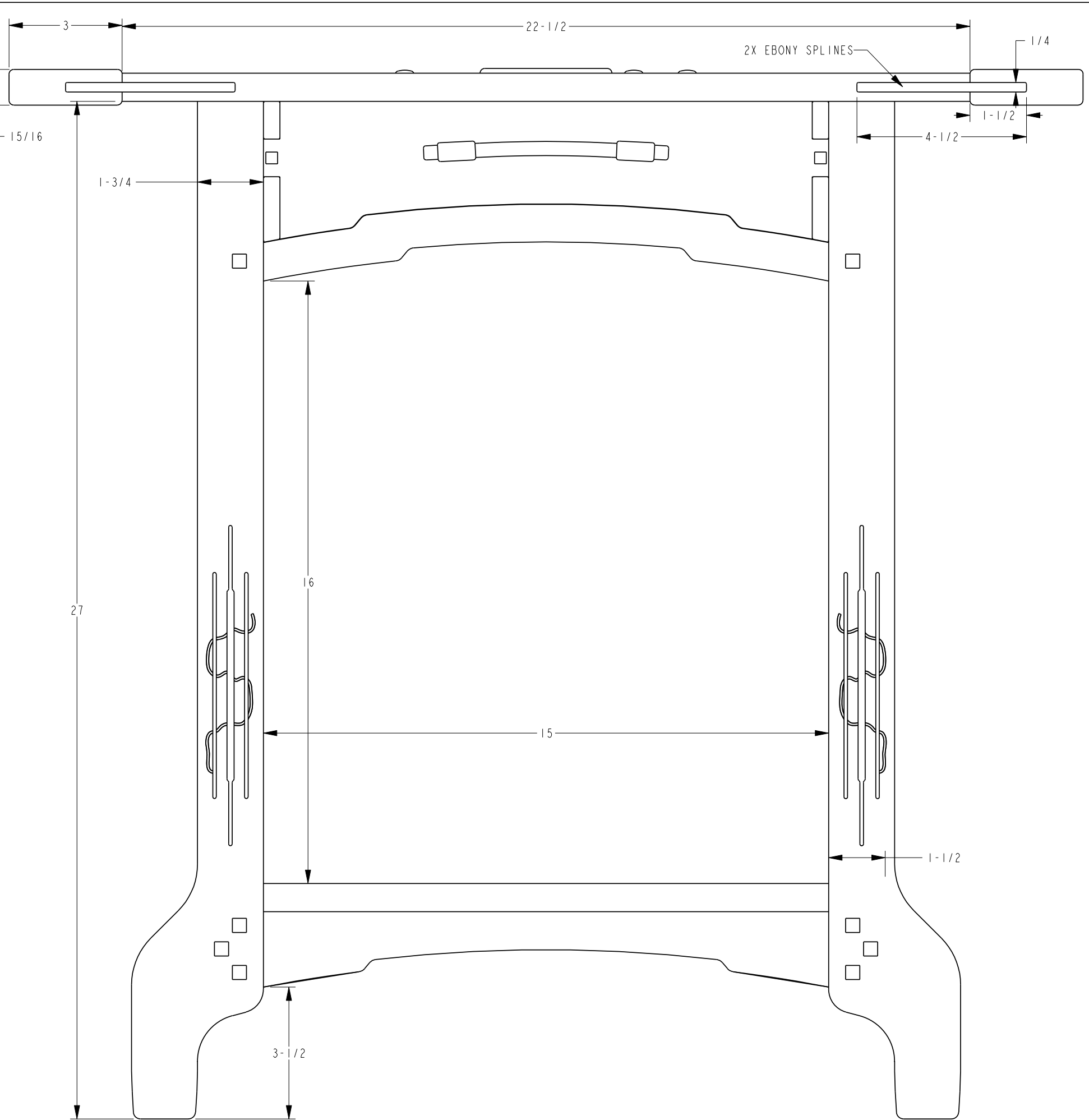


DETAIL B  
SCALE 1.000

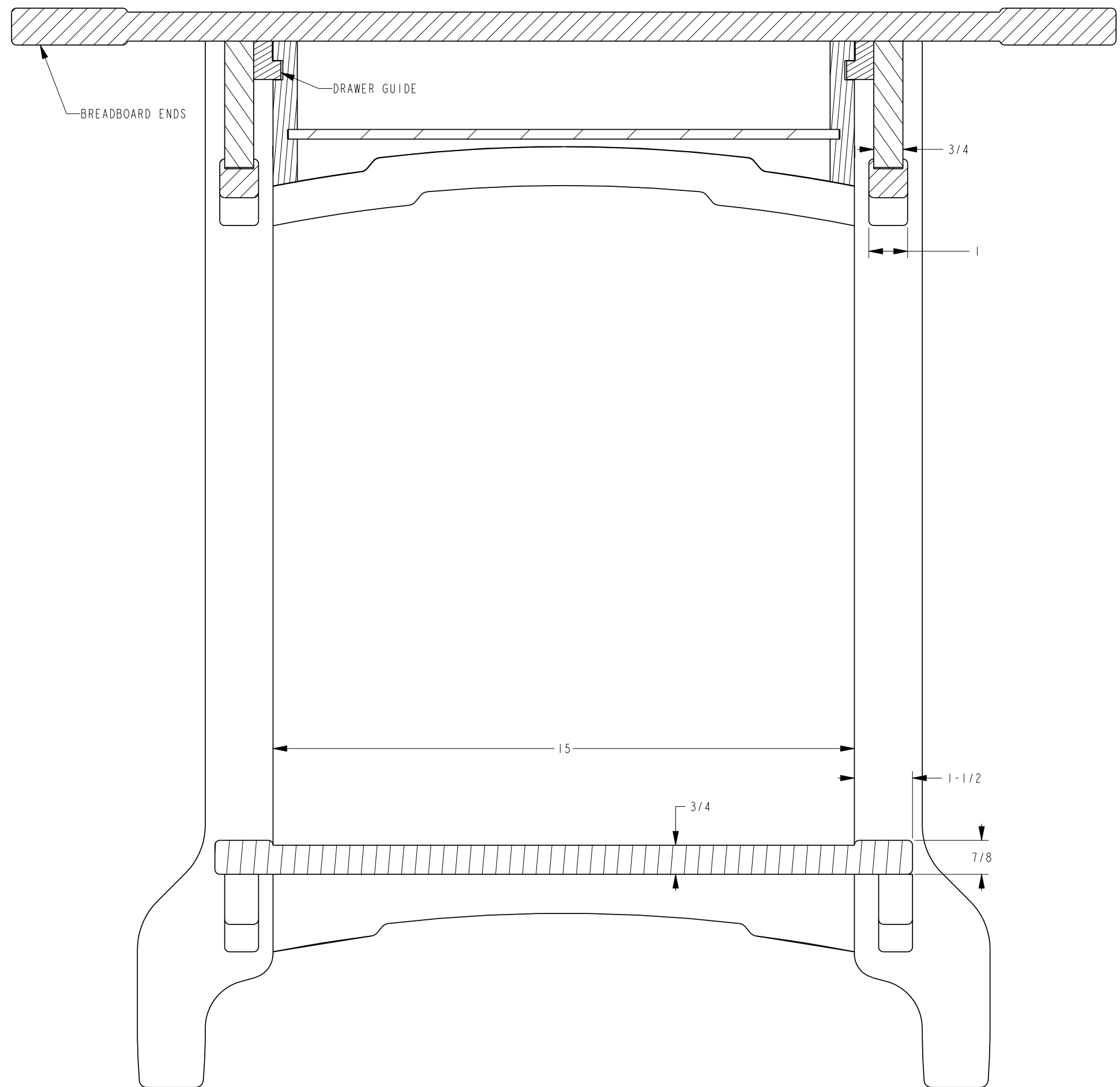
SEE DETAIL B



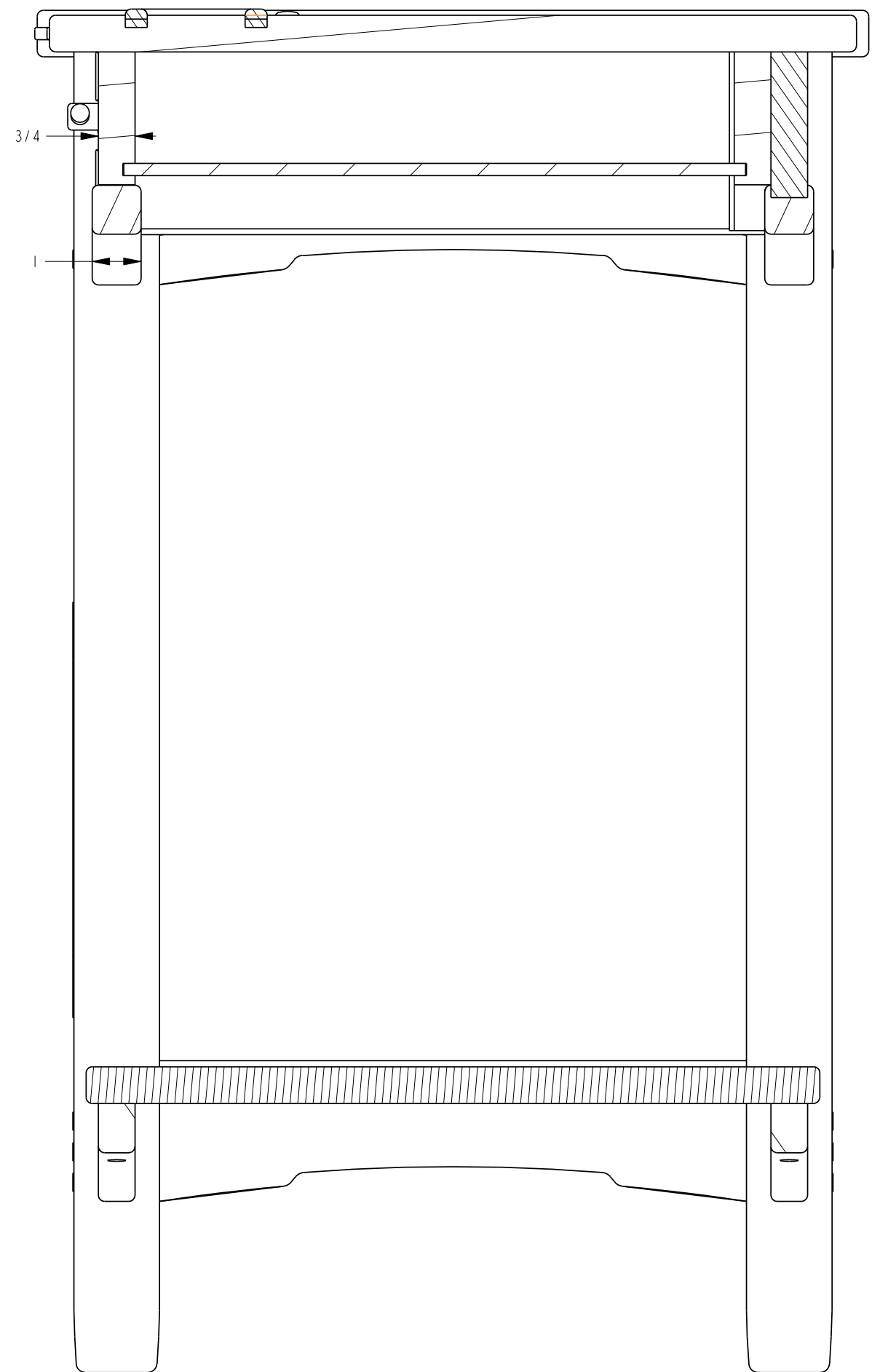
DETAIL C  
SCALE 1.000



# SECTION VIEW THRU CENTER OF TABLE



SECTION A-A



SECTION B-B

ROUTE 1/4" X 3/4"  
GROOVE TO ASSEMBLE  
ARCHED BOARD

SIDE ARCH (2X)

3/4

5/8

ROUTE 1/4" X 3/4"  
GROOVE TO ASSEMBLE  
ARCHED BOARD

FRONT/REAR ARCH (2X)

3/4

3/4

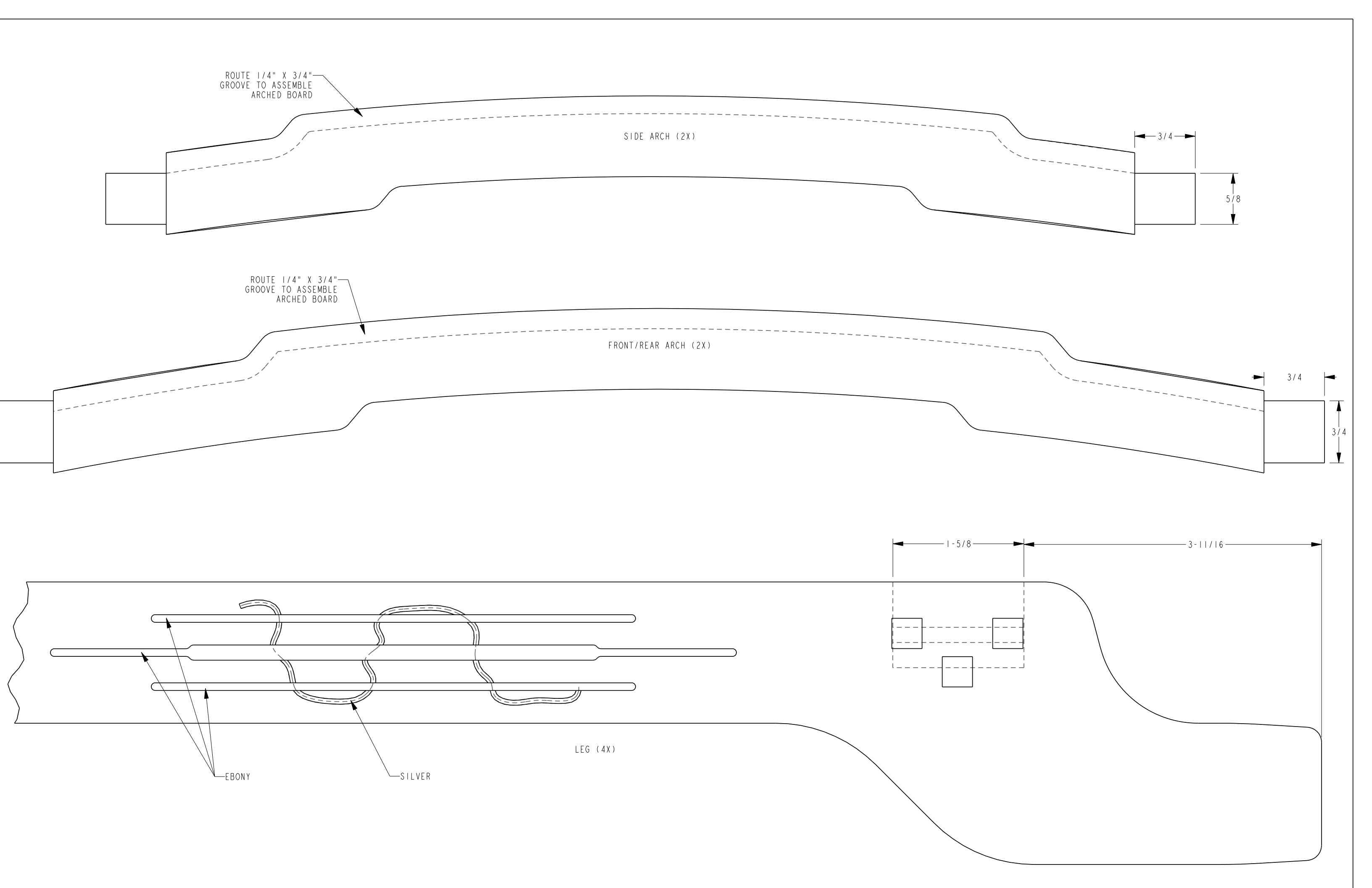
1-5/8

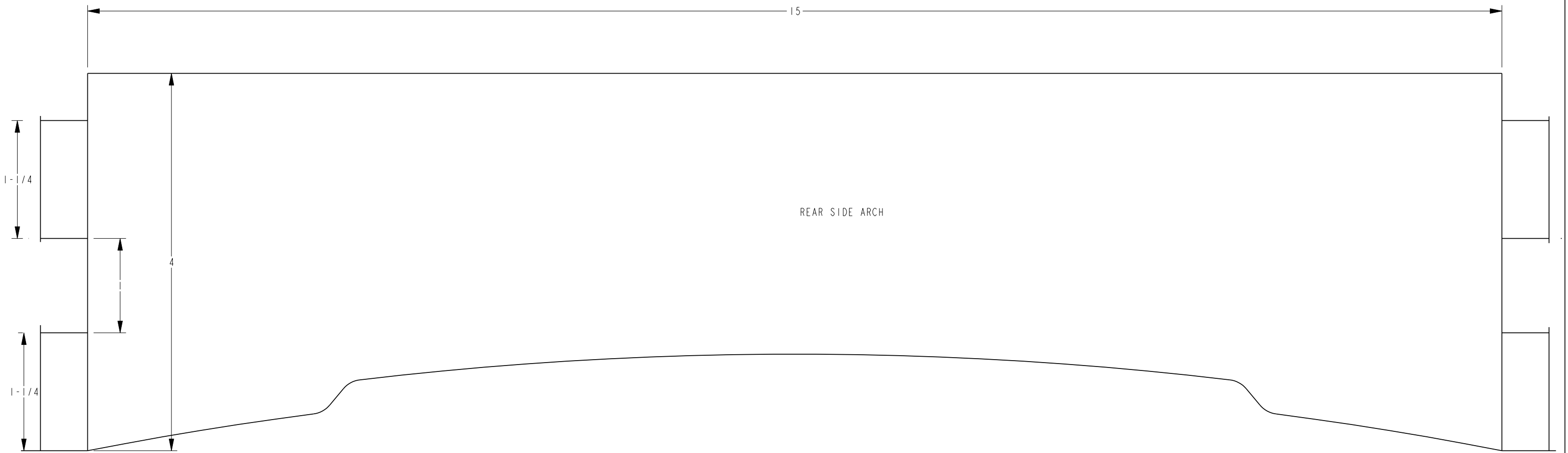
3-11/16

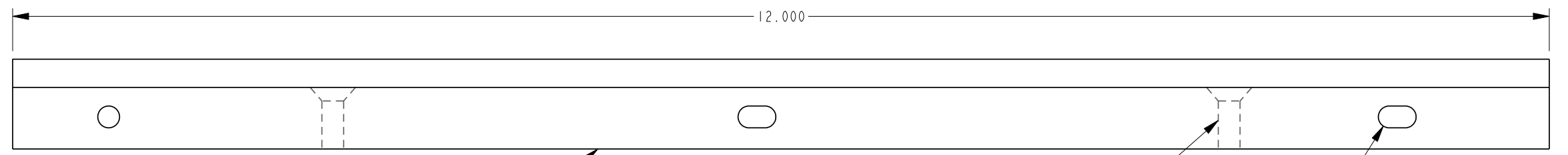
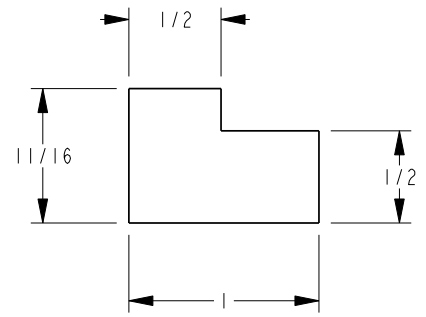
LEG (4X)

EBONY

SILVER



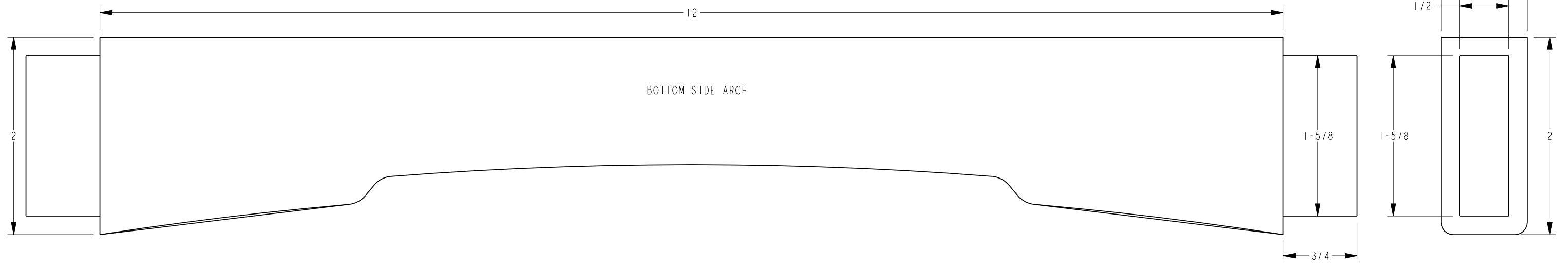




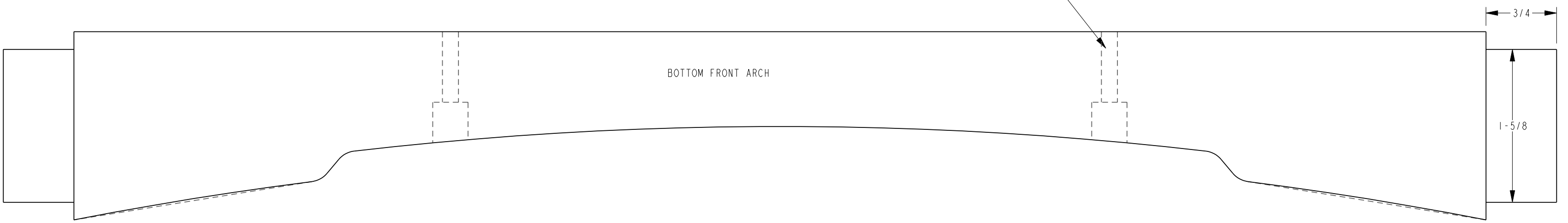
2X DRAWER GUIDES  
(SYMMETRIC)

2X COUNTERSINK  
TO ATTACH TO TOP  
SIDE ARCHES

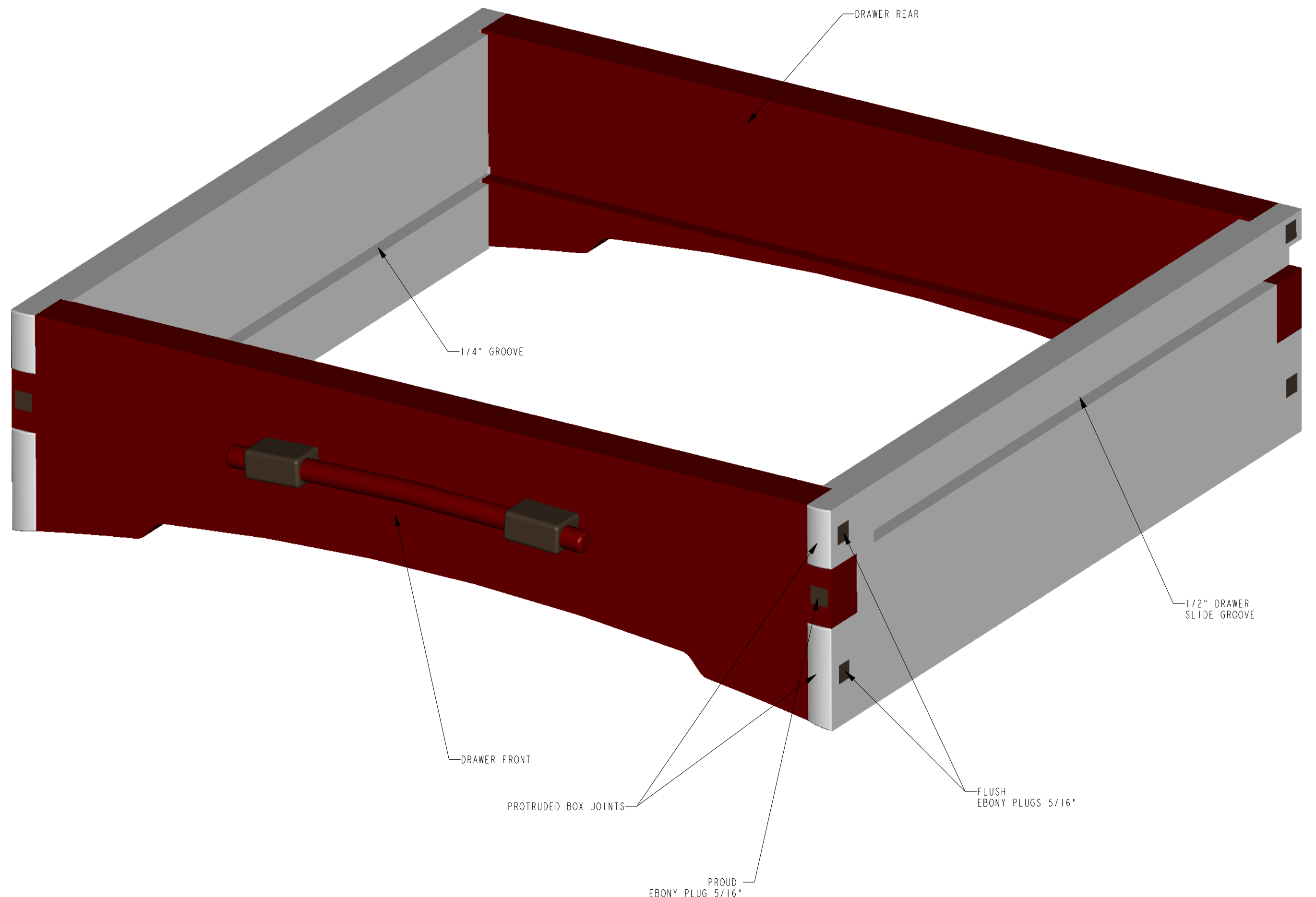
3X  $\varnothing$  .170  
TO ATTACH  
TO TOP

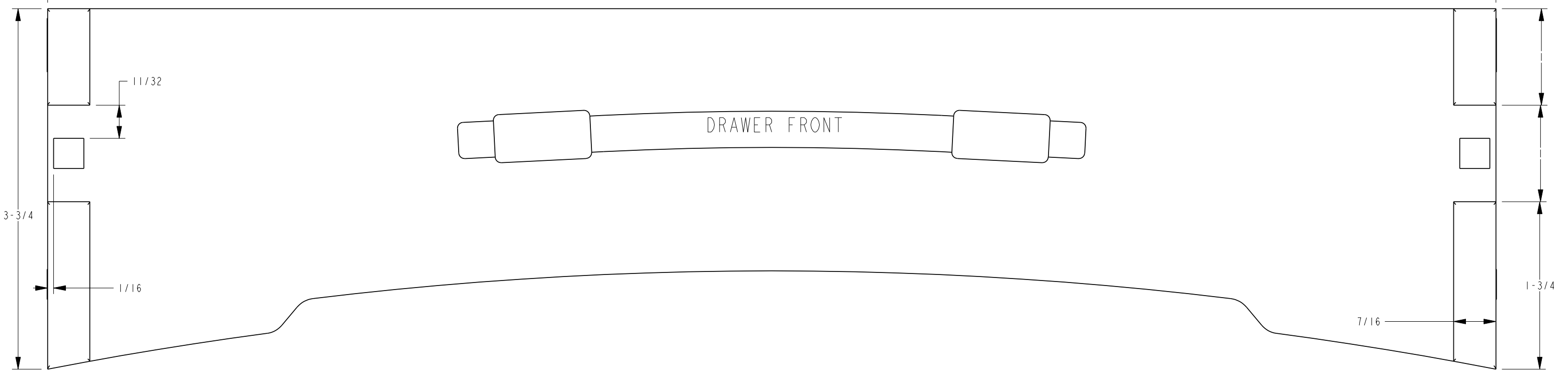
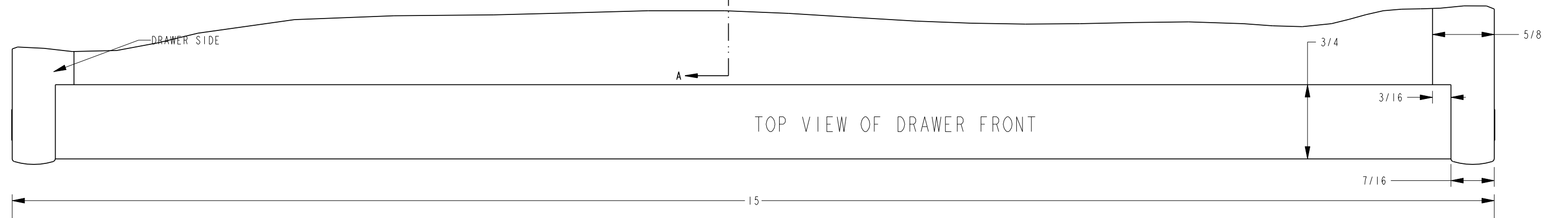
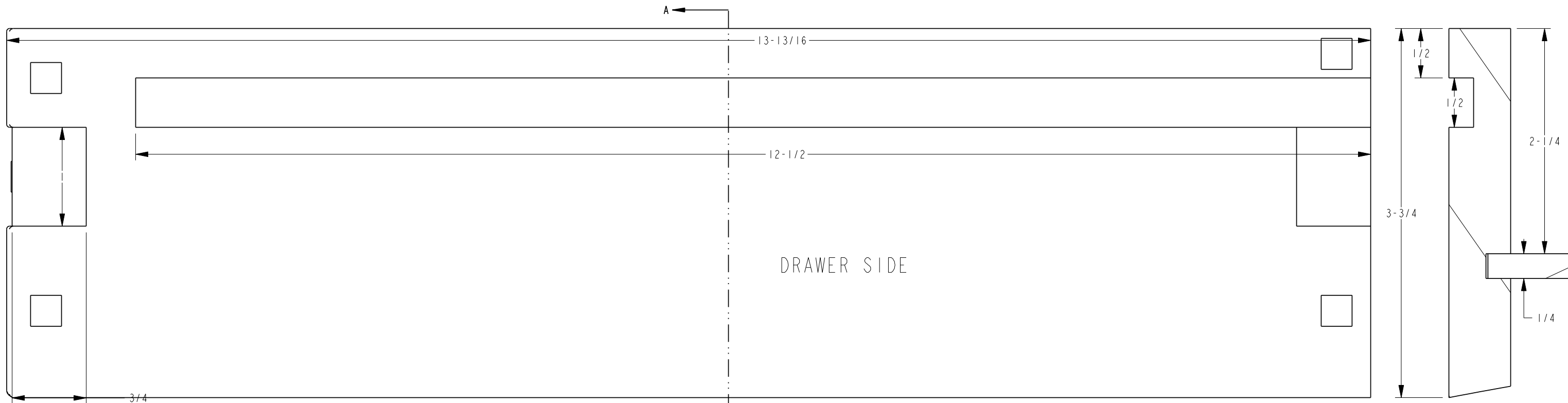


2X COUNTERSUNK  
HOLES TO ATTACH  
BOTTOM SURFACE

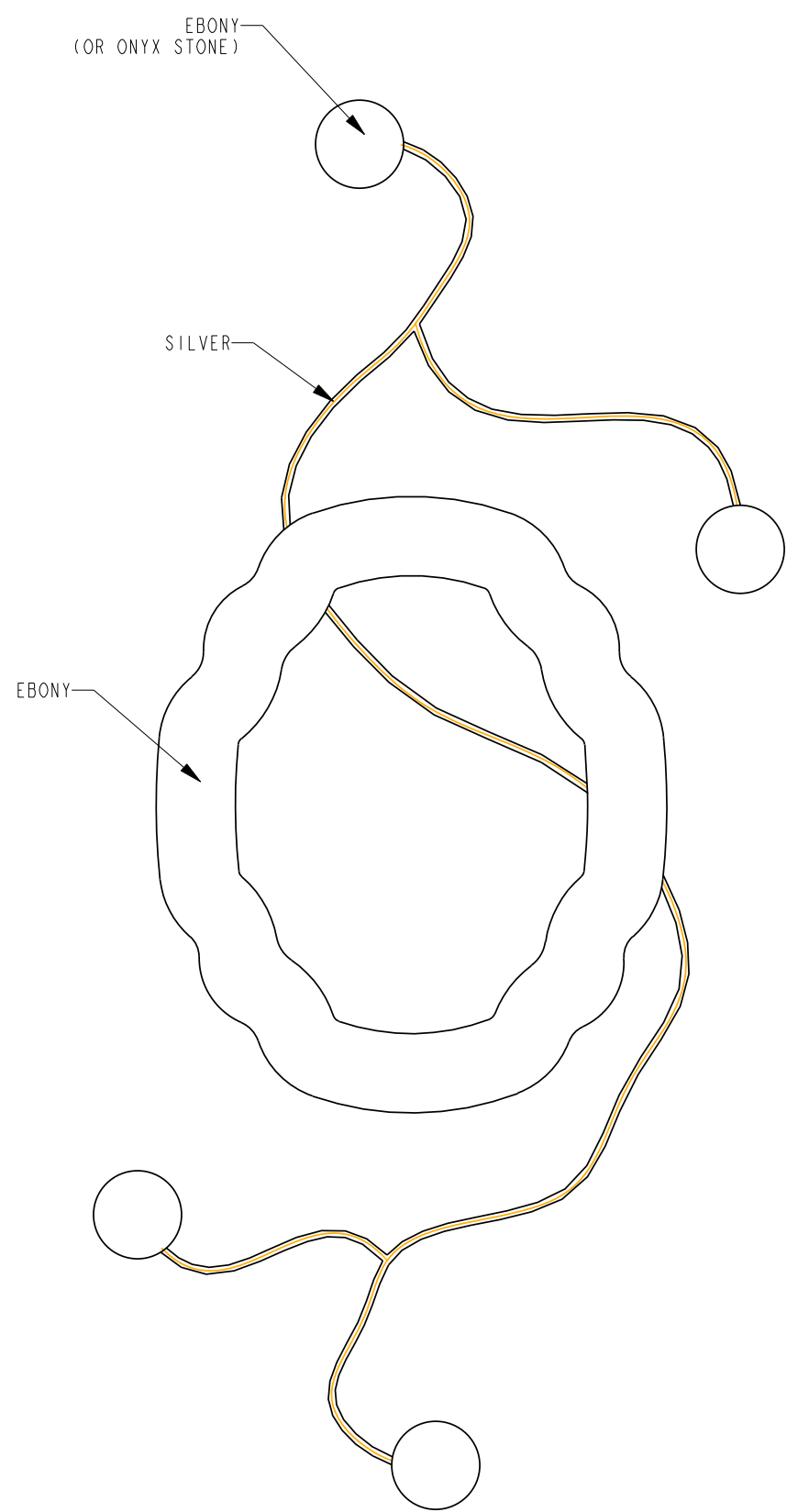
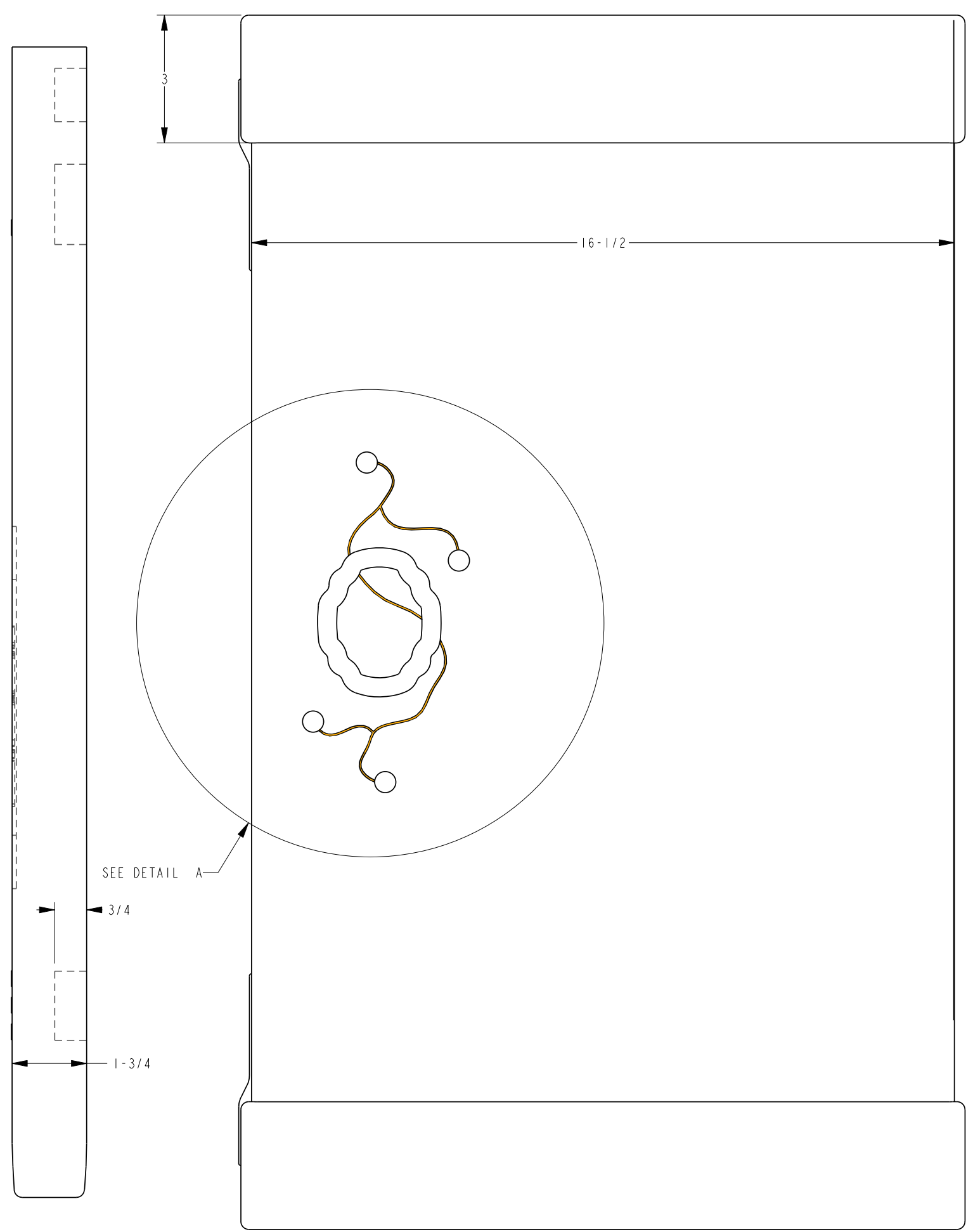
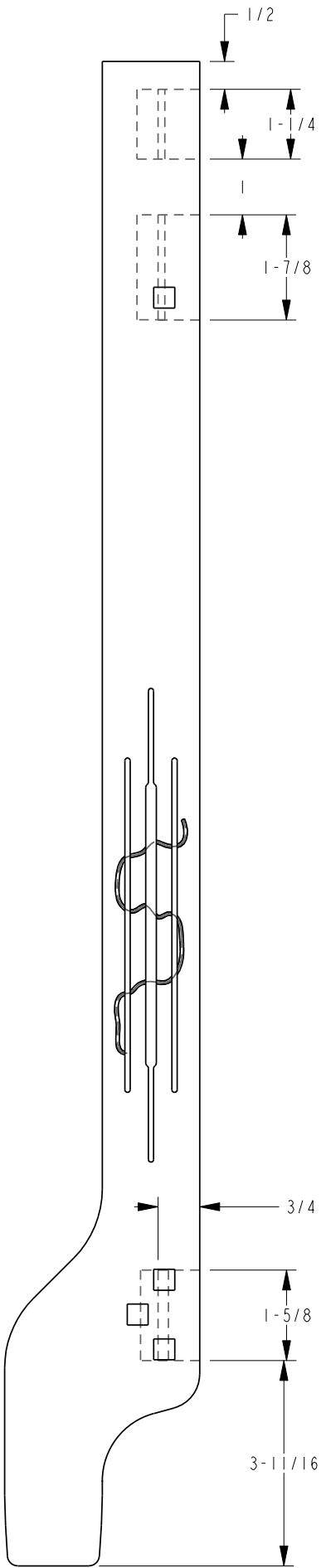


# DRAWER ASSEMBLY









DETAIL A  
 SCALE 1.000