

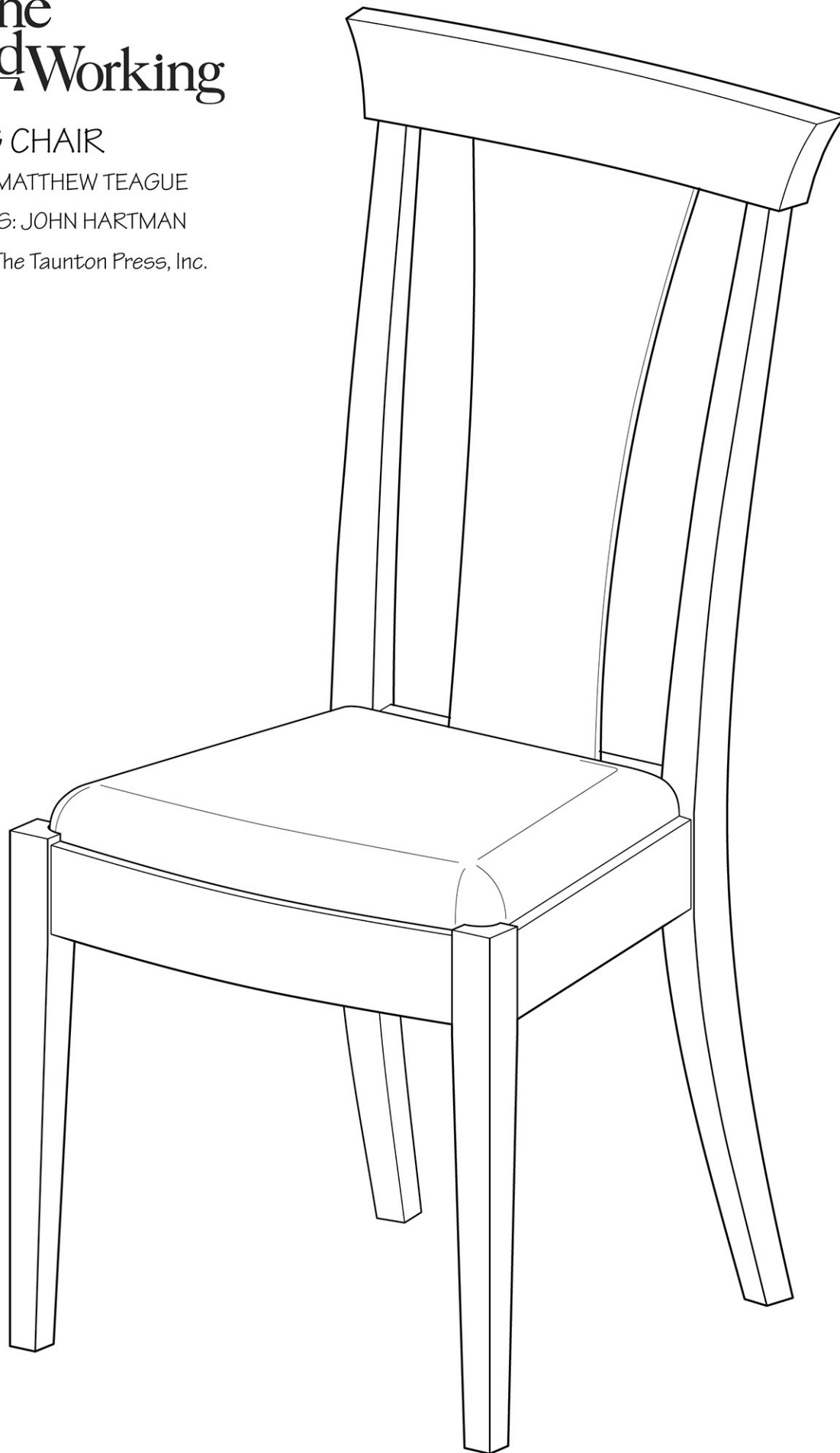
# Fine Woodworking

## DINING CHAIR

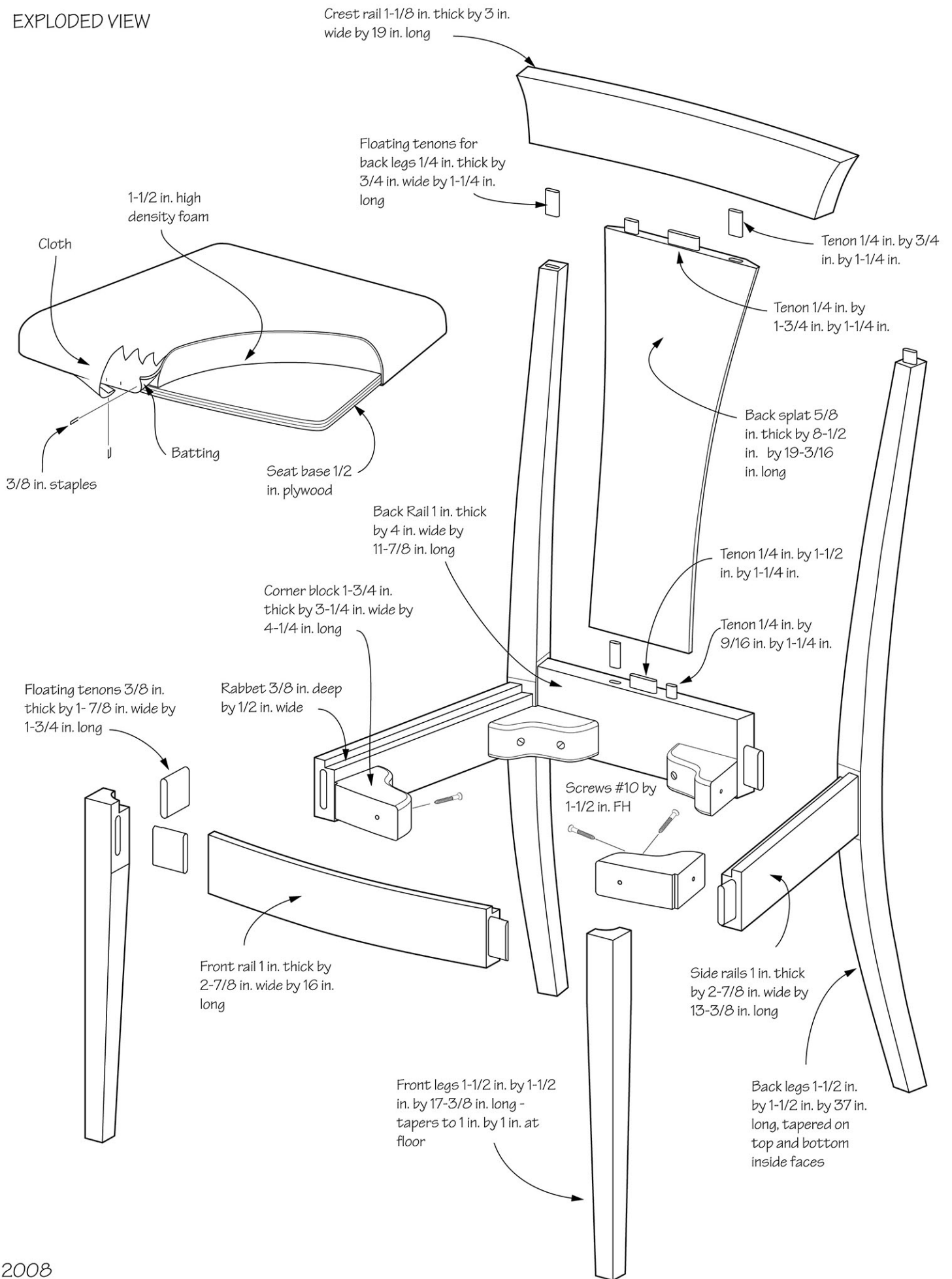
DESIGN: MATTHEW TEAGUE

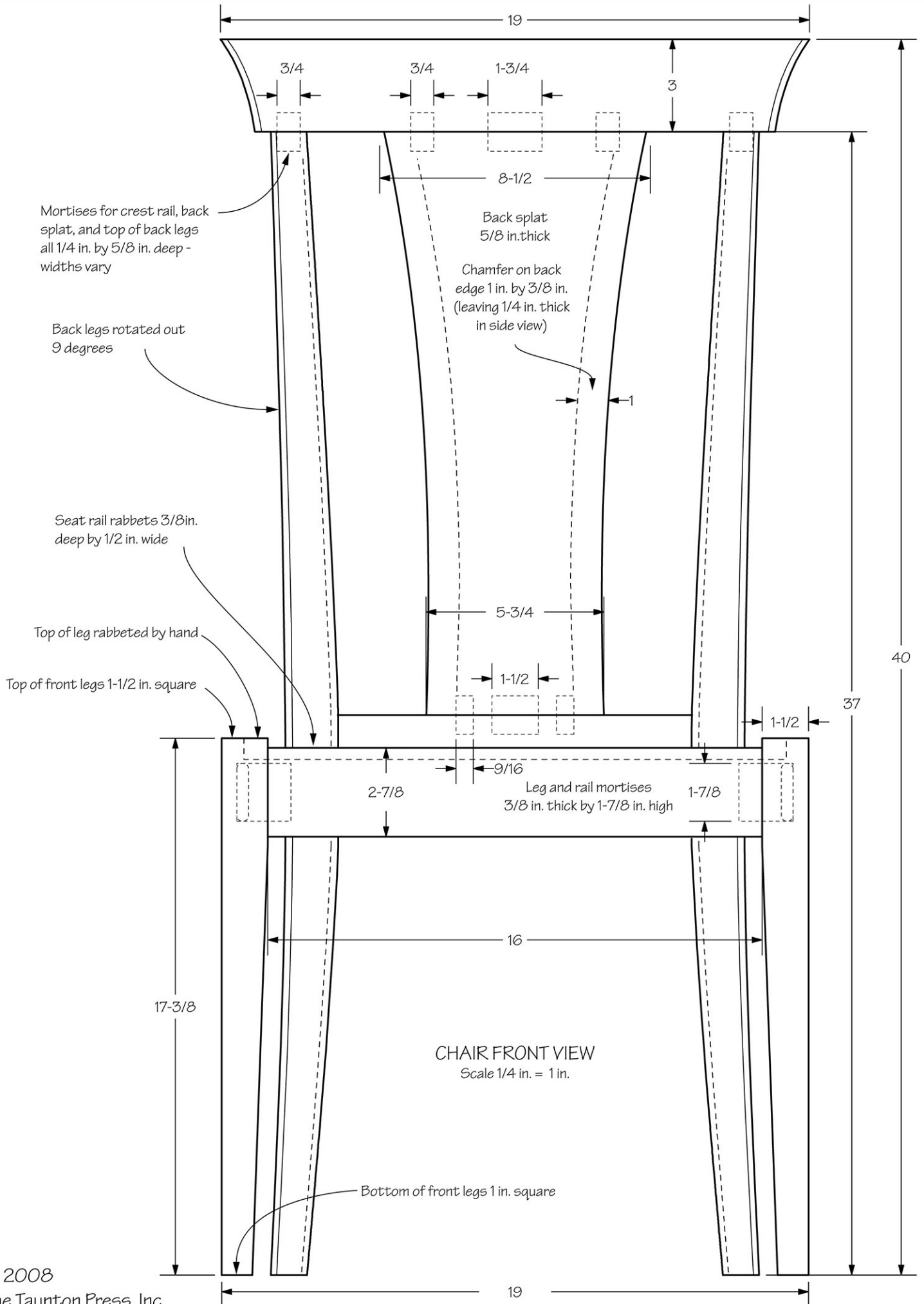
DRAWINGS: JOHN HARTMAN

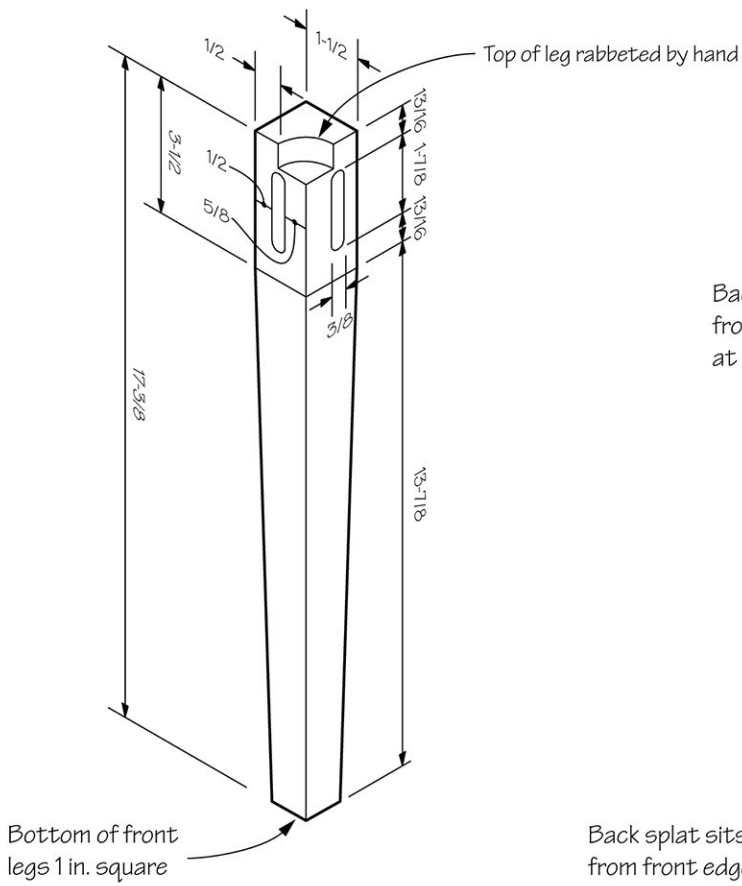
© 2008 The Taunton Press, Inc.



EXPLODED VIEW

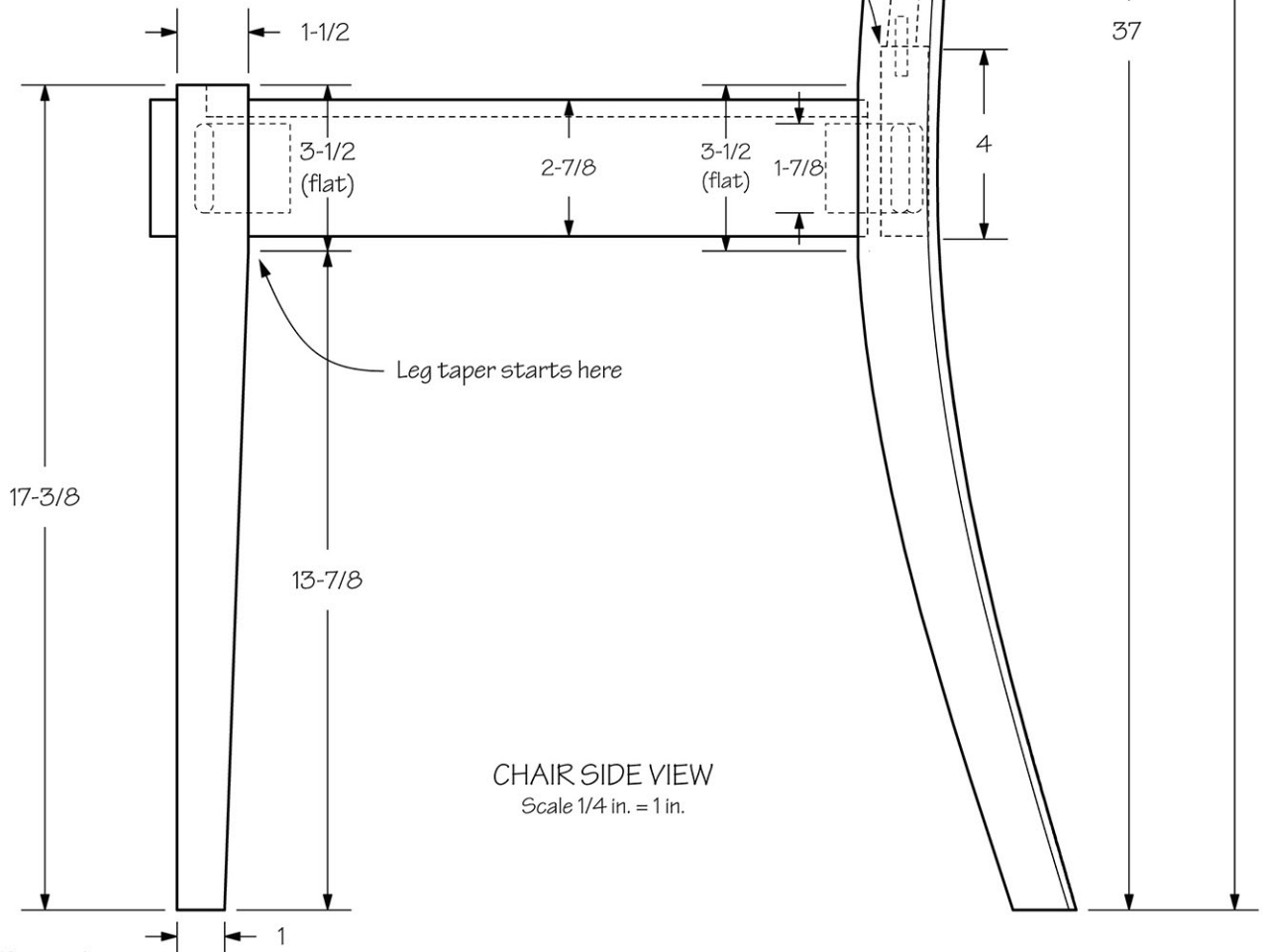


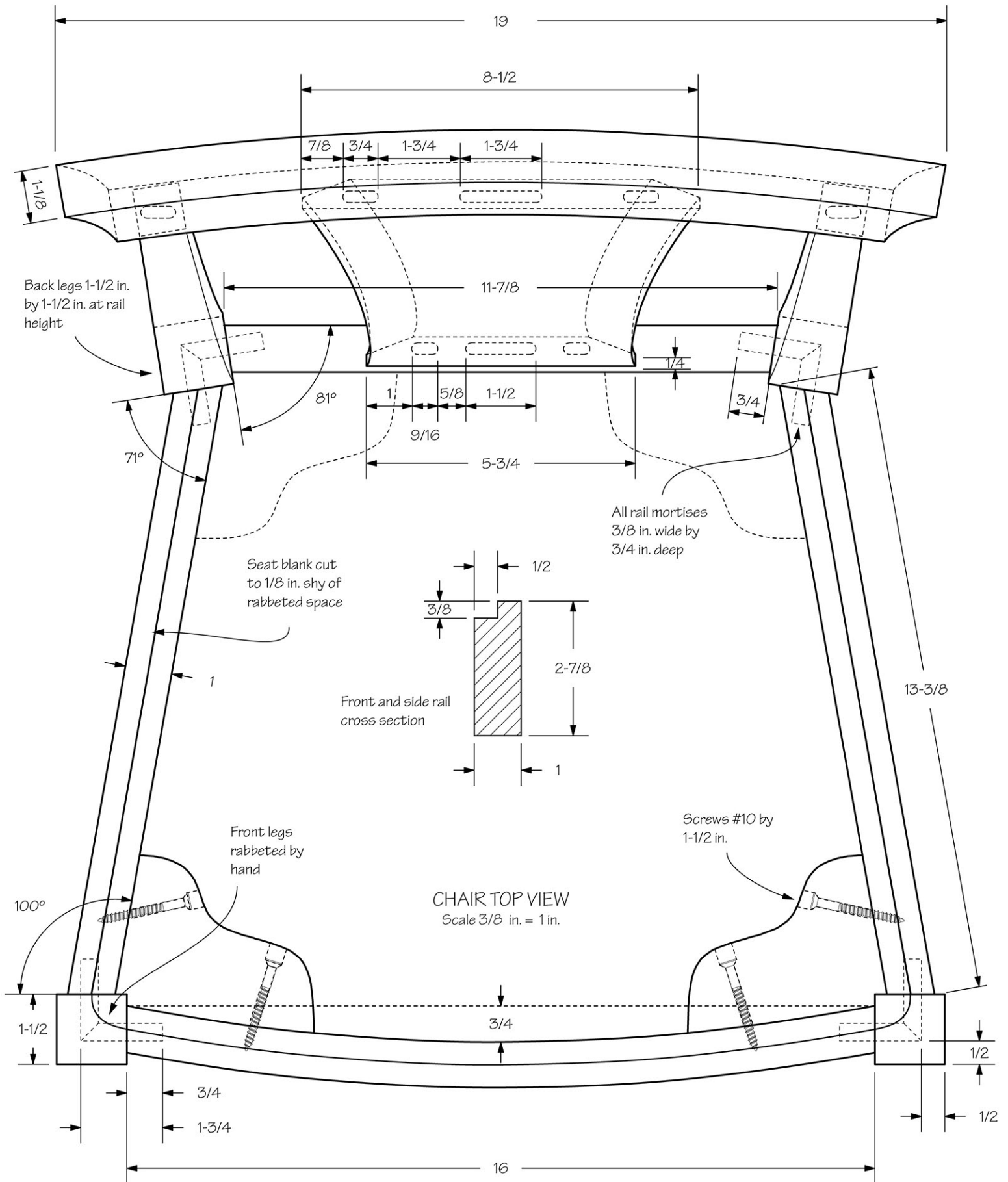


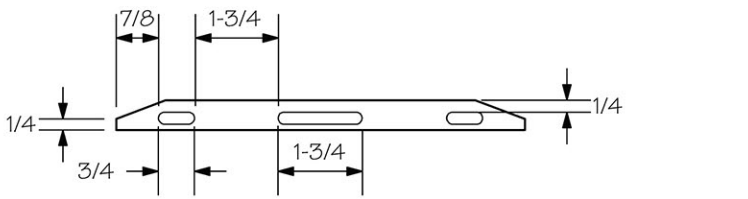


Back splat sits 1/8 in. back from front edge of crest rail at closest point

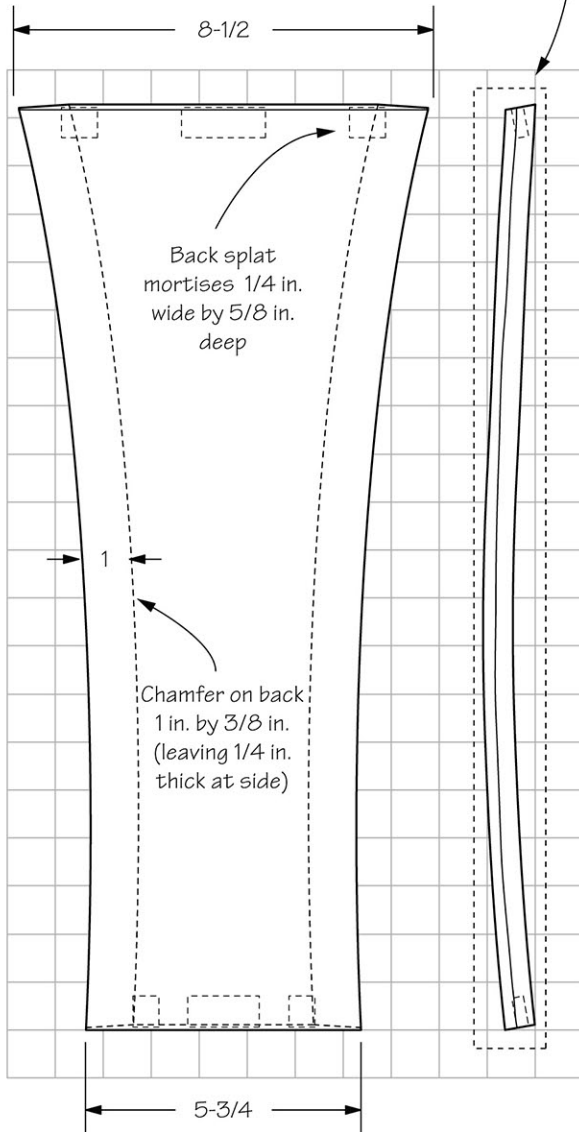
Back splat sits 1/8 in. back from front edge of back rail





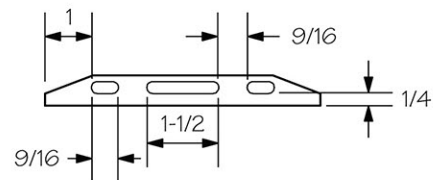


Original stock 1-1/2 in thick by 9 in. wide by 20 in. long



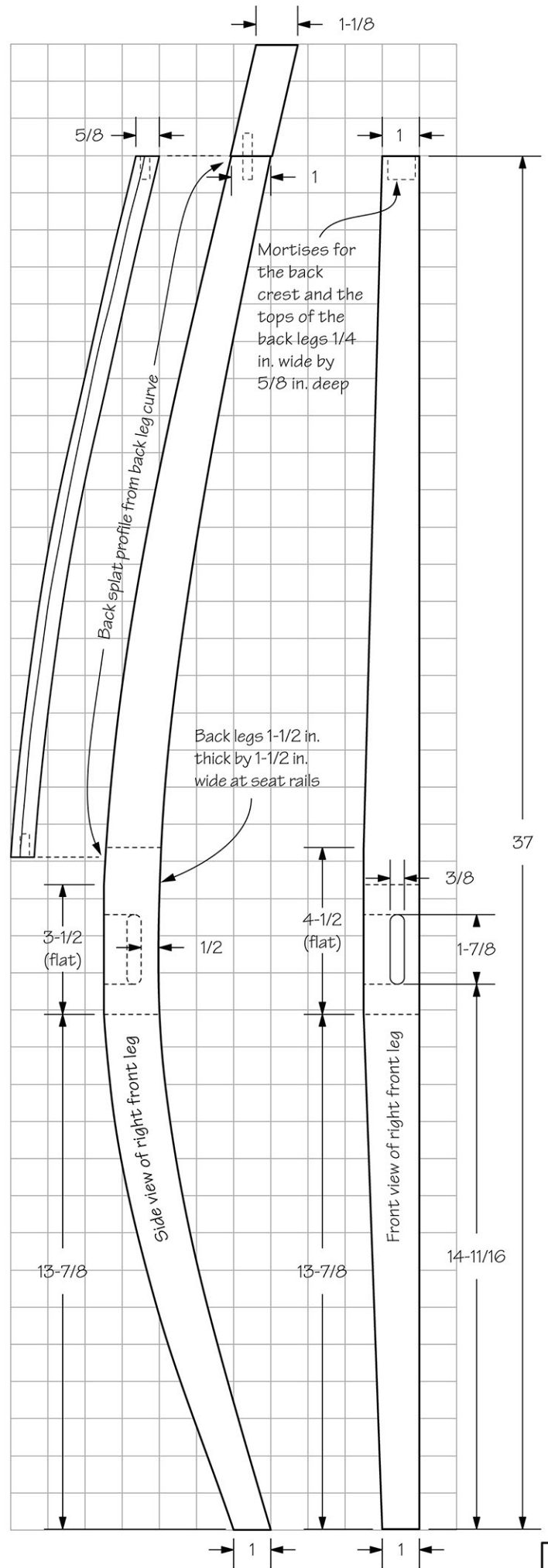
Back splat mortises 1/4 in. wide by 5/8 in. deep

Chamfer on back 1 in. by 3/8 in. (leaving 1/4 in. thick at side)



BACK SPLAT AND BACK LEG DETAILS

Scale 1/4 in. = 1 in.



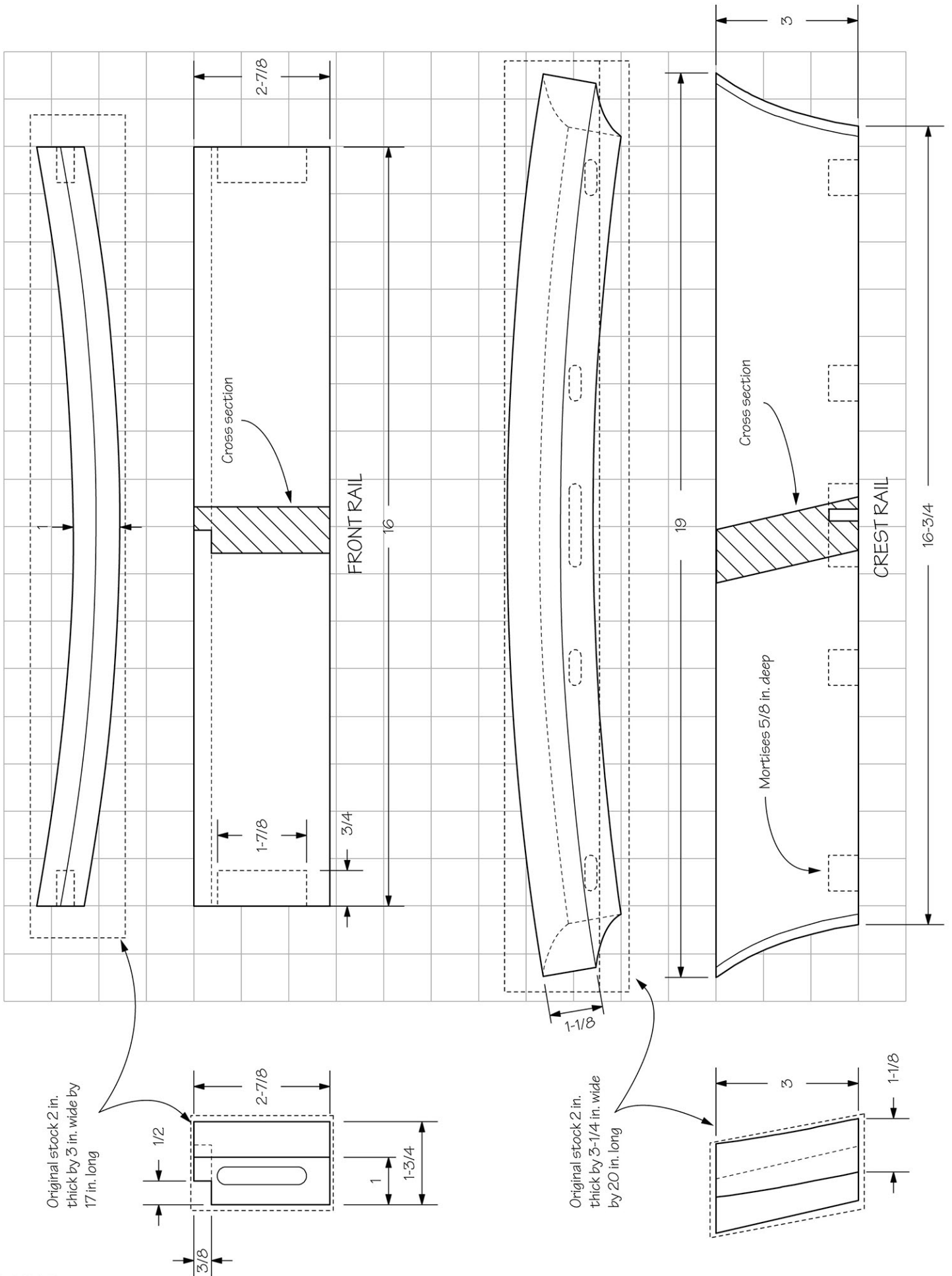
Mortises for the back crest and the tops of the back legs 1/4 in. wide by 5/8 in. deep

Back legs 1-1/2 in. thick by 1-1/2 in. wide at seat rails

Back splat, profile from back leg curve

Side view of right front leg

Front view of right front leg



FRONT RAIL AND CREST RAIL  
 Scale 3/8 in. = 1 in.