

SKILL LEVEL

Beginner Intermediate Advanced Expert

ADIRONDACK CHAIR IN CYPRESS

What's Included:

- Detailed measurements



©2018 The Taunton Press



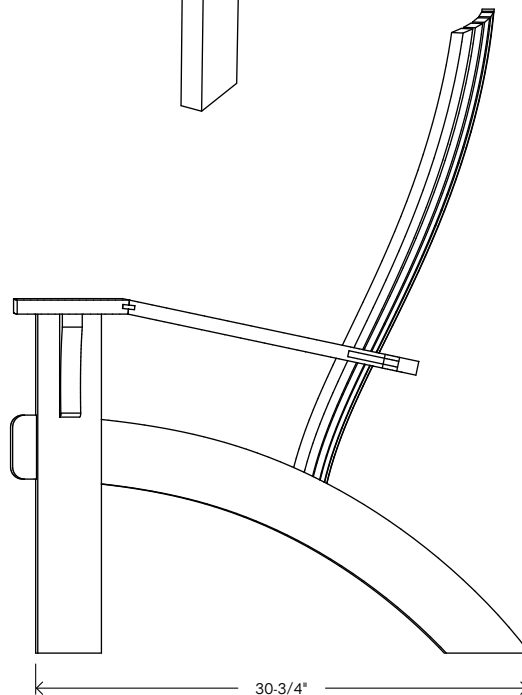
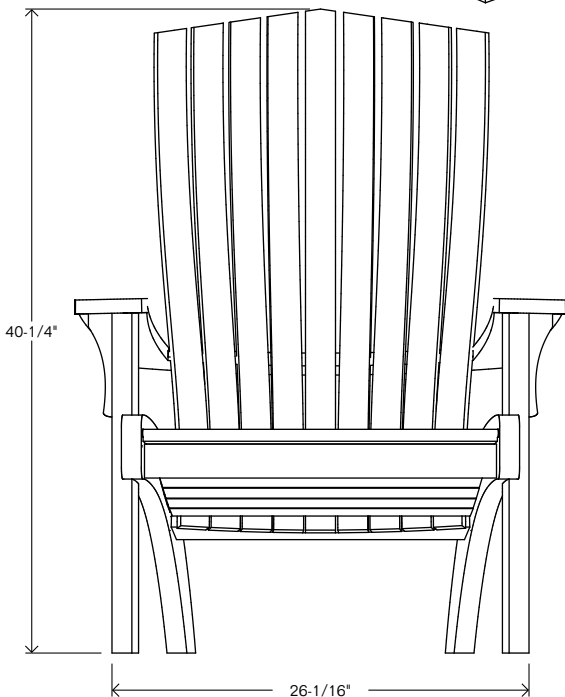
Build this contemporary take on a classic design: the Adirondack lawn chair. Tom McLaughlin shows you how to cut a comfortable curve into the seat and back of this chair. The mitered joint on the armrest is an additional detail which makes for a smooth, slanting arm that resolves into a drink holder. Expect to enjoy time outdoors in this updated version of an old favorite. Finished size: 30-3/4 in. deep by 26-1/16 in. wide by 40-1/4 in. high



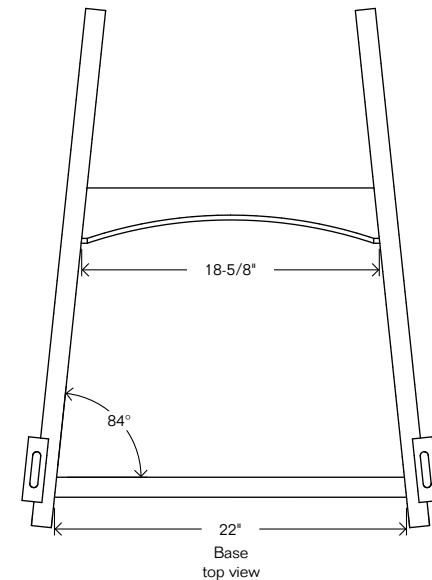
Fine Woodworking

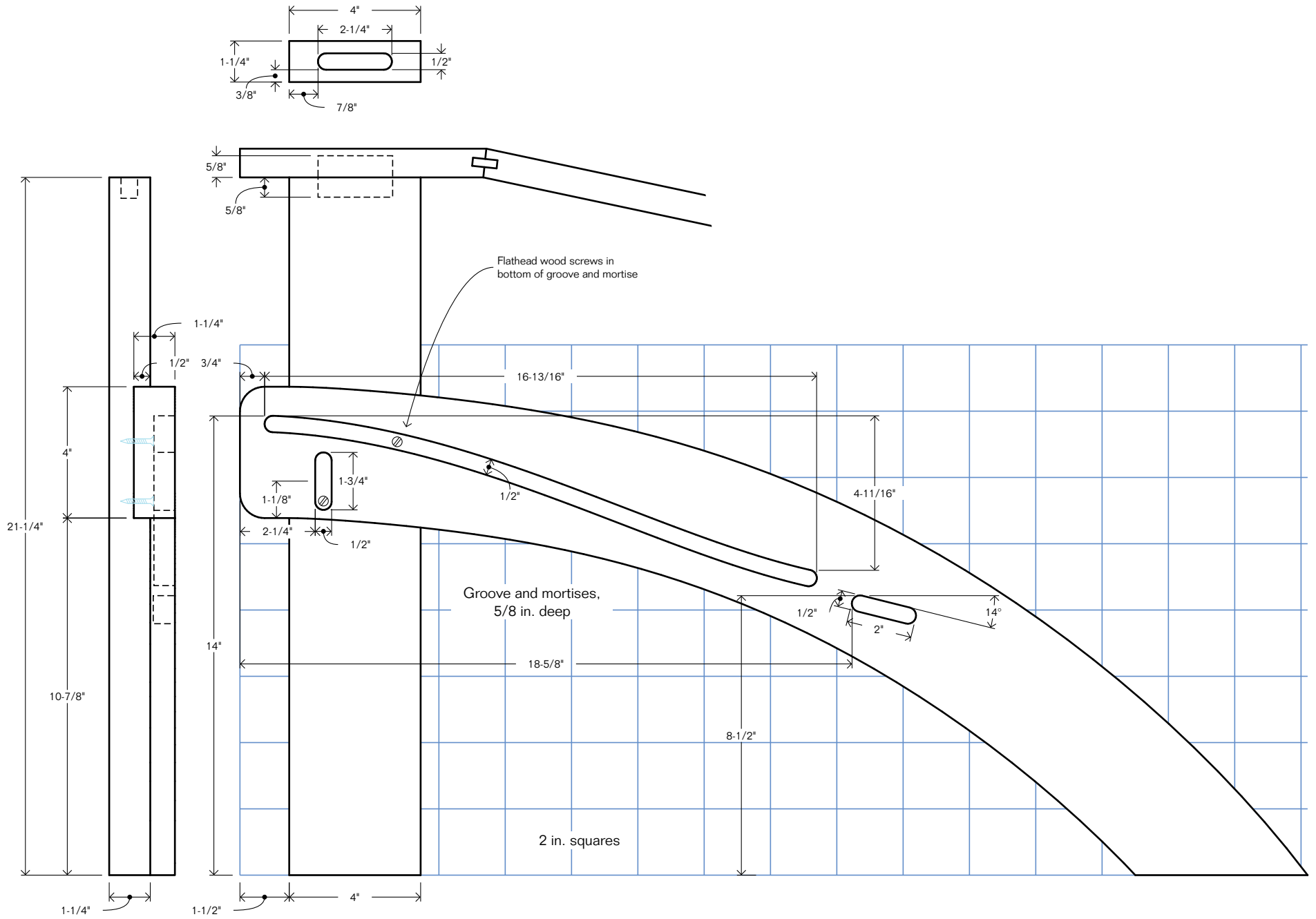
Adirondack Chair in Cypress from Rough Cut with Fine Woodworking

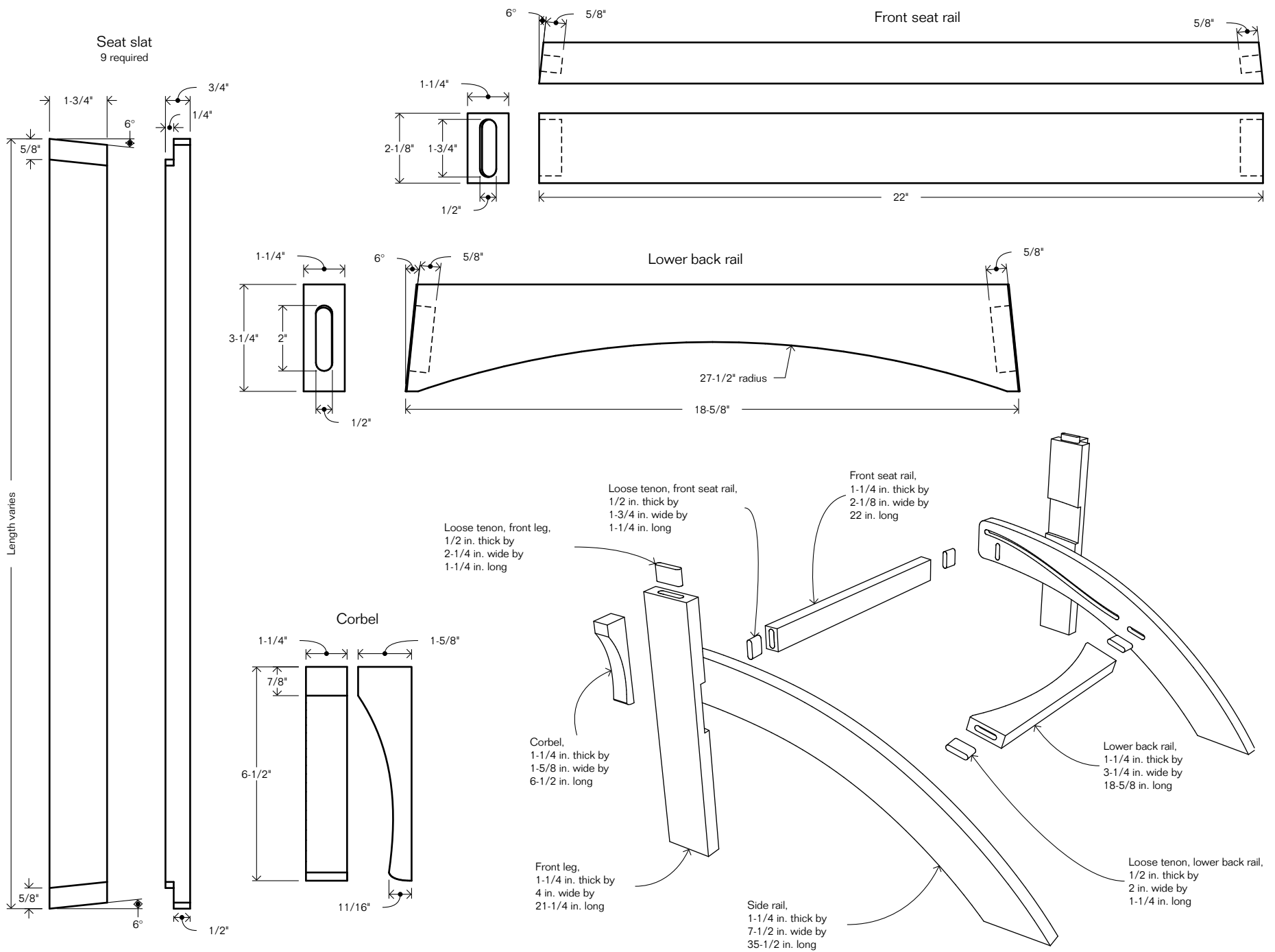
By Tom McLaughlin
Drawings by David Richards

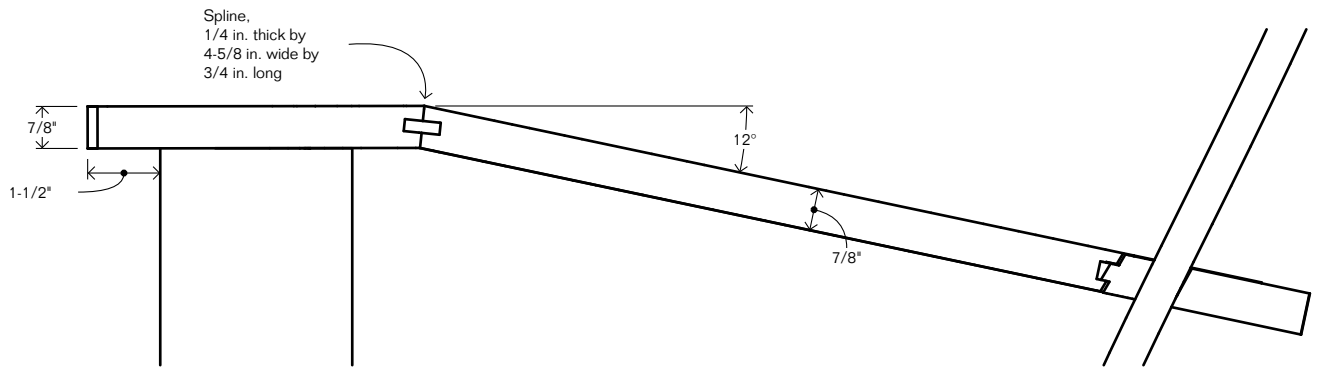
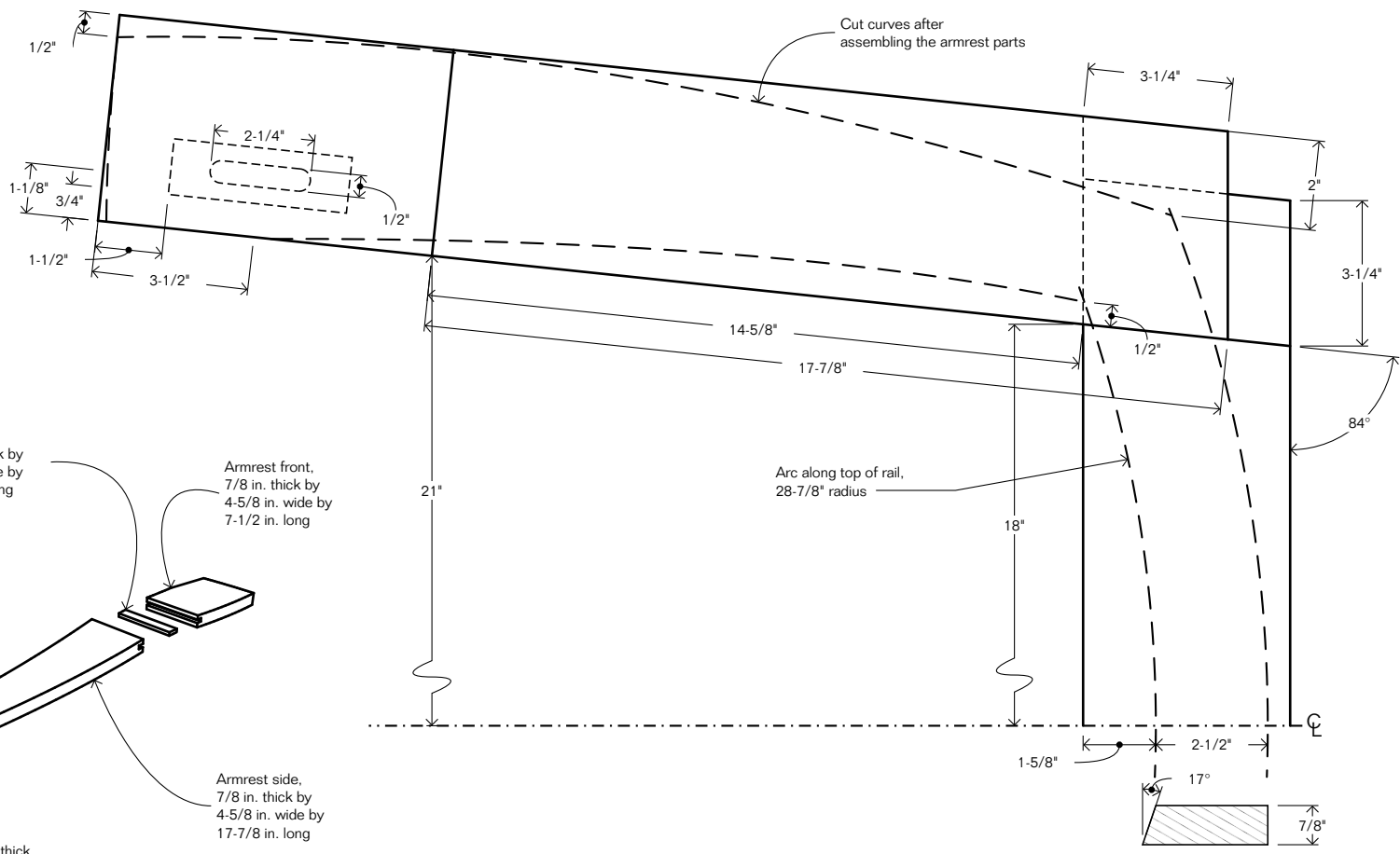


		Materials		
Qty	Description	Thickness	Width	Length
2	Front leg	1-1/4 in.	4 in.	21-1/4 in.
2	Side rail	1-1/4 in.	7-1/4 in.	35-1/2 in.
1	Front seat rail	1-1/4 in.	2-1/8 in.	22 in.
1	Lower back rail	1-1/4 in.	3-1/4 in.	18-5/8 in.
9	Seat slat	3/4 in.	1-3/4 in.	23-7/16 in.
9	Back slat	1/2 in.	1-7/8 in.	35 in.
2	Corbel	1-1/4 in.	1-5/8 in.	6-1/2 in.
1	Upper back rail	7/8 in.	4-5/8 in.	24-1/2 in.
2	Armrest side	7/8 in.	4-5/8 in.	17-7/8 in.
2	Armrest front	7/8 in.	4-5/8 in.	7-1/2 in.
2	Loose tenon, front legs	1/2 in.	2-1/4 in.	1-1/4 in.
2	Loose tenon, seat rail	1/2 in.	1-3/4 in.	1-1/4 in.
2	Loose tenon, lower back rail	1/2 in.	2 in.	1-1/4 in.
	Flathead wood screws		#12 by 1-1/2 in. long	









Back slat pattern
1:4

