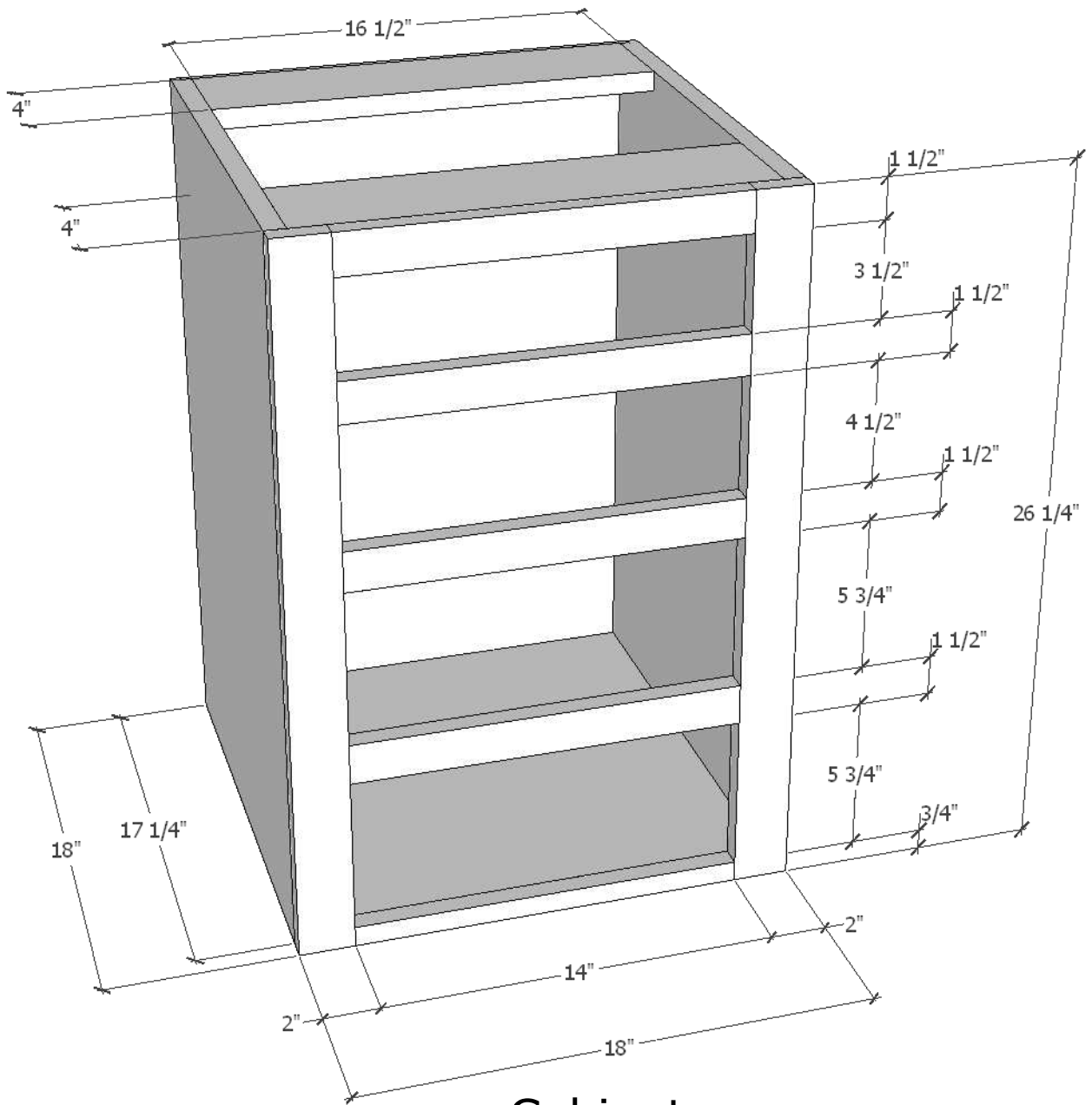
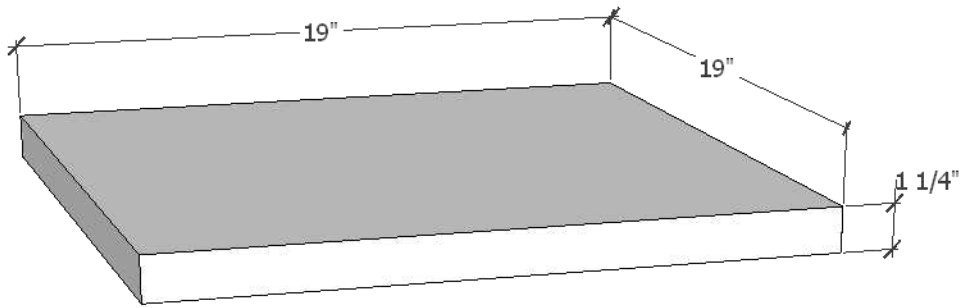
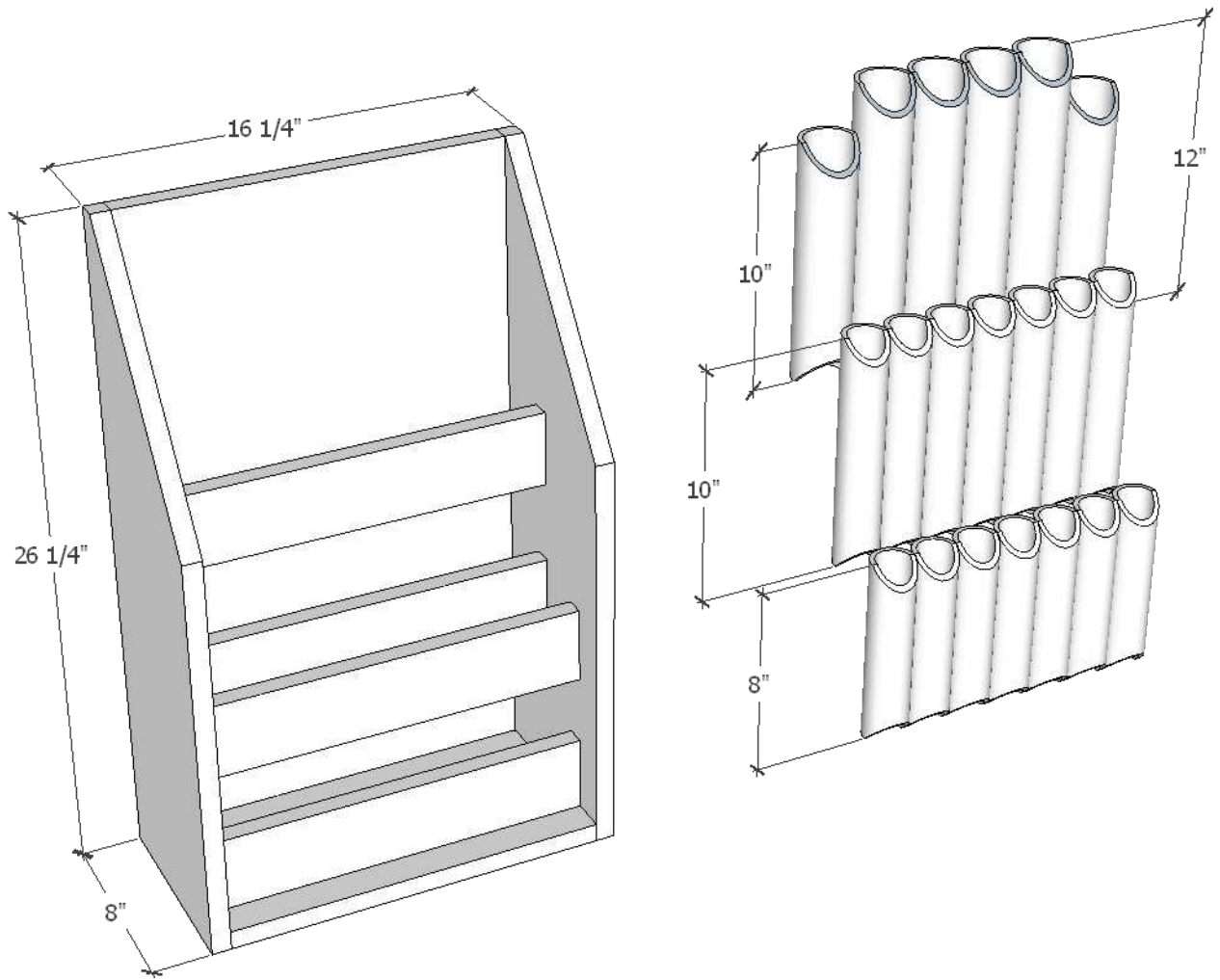


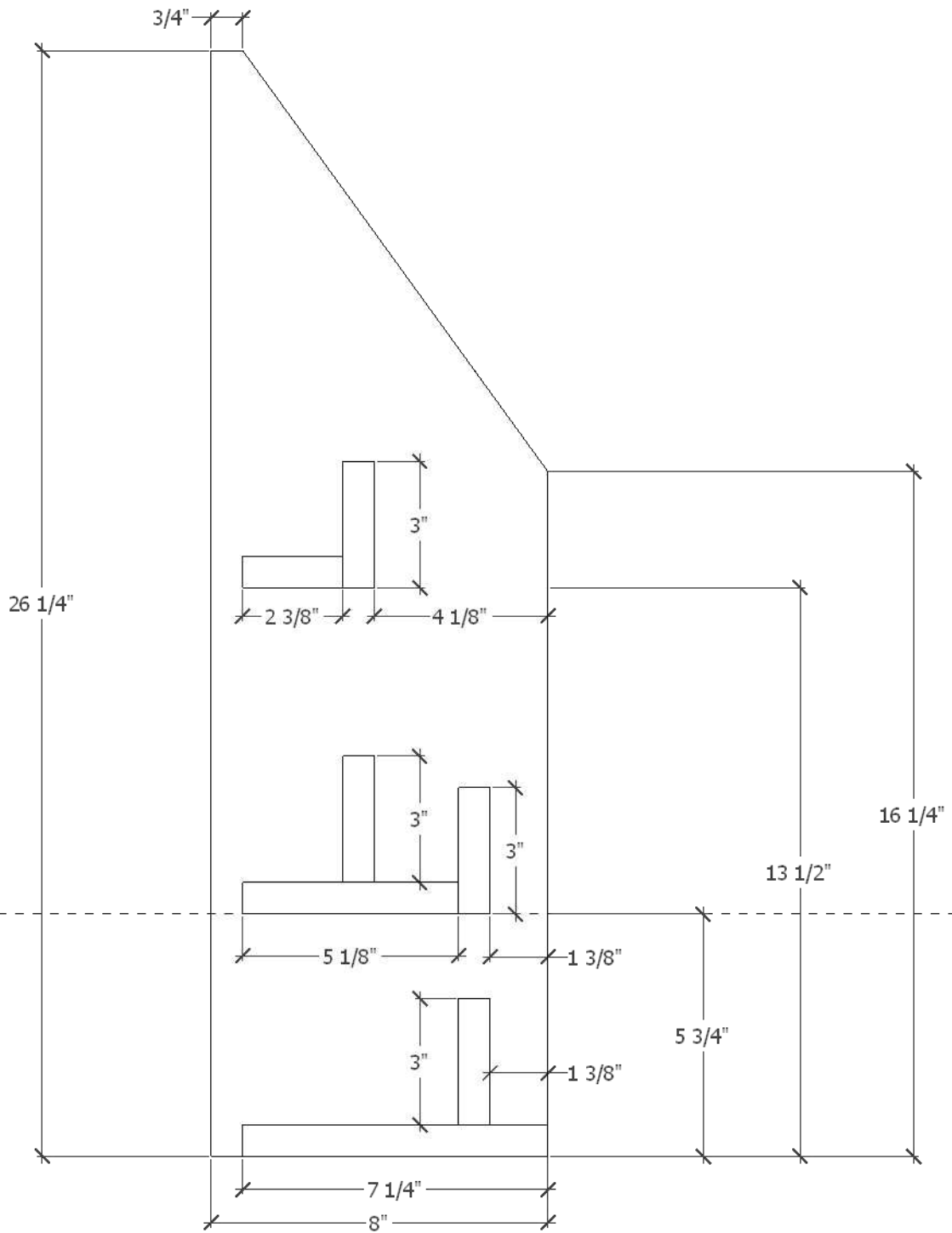
ELEVATION



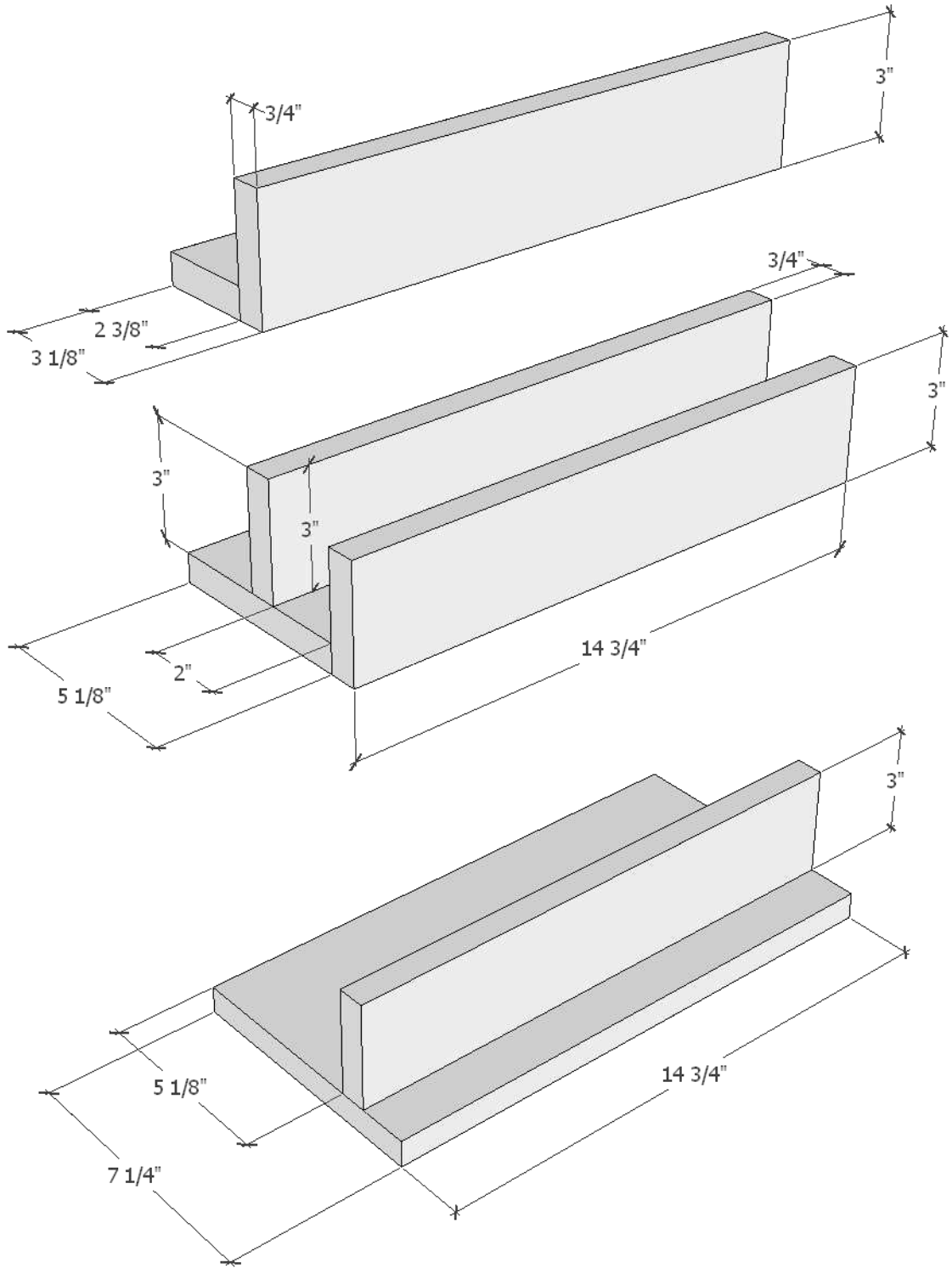
Cabinet



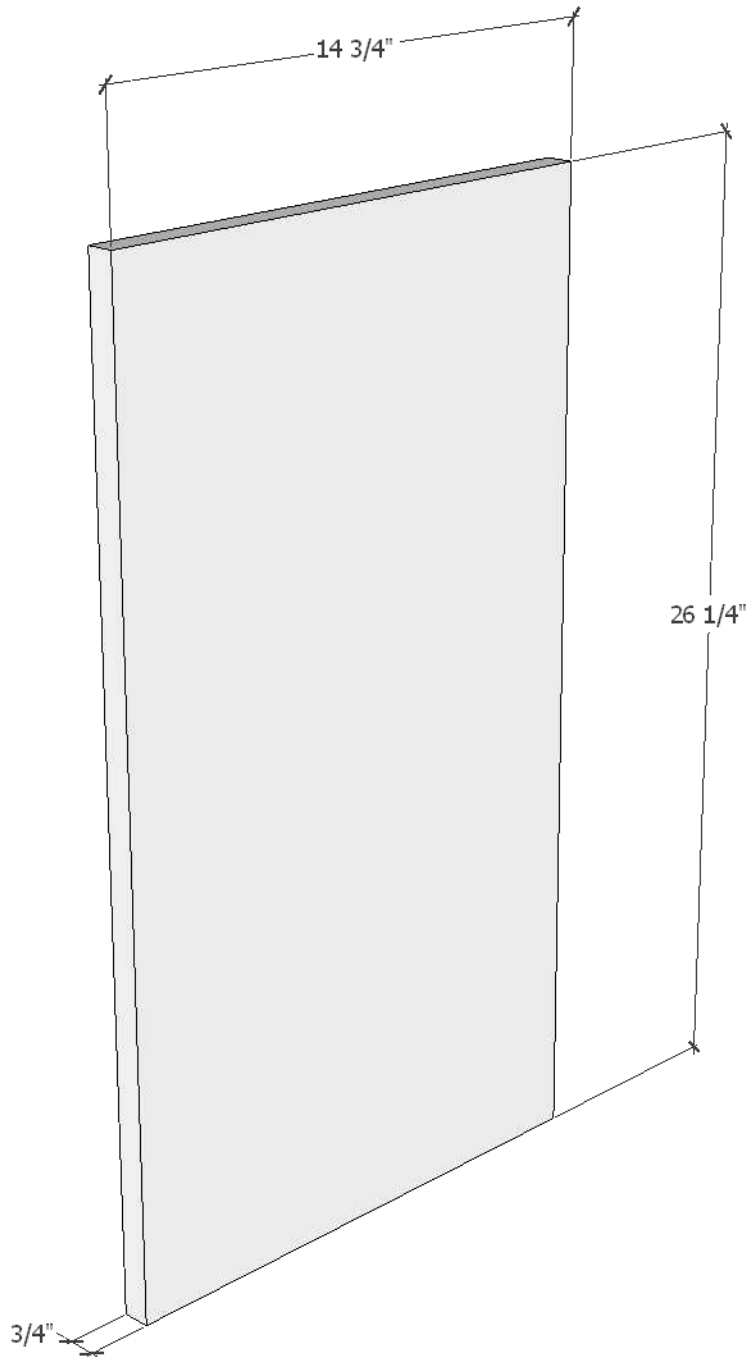
TOOL HOLDER



SIDE
2 Each



SHELVES



Back